

4

3

2

1

**MATERIAL & FINISH:**

- 1. BODY: STAINLESS STEEL, PASSIVATED
- 2. CENTER CONTACT: BERYLLIUM COPPER ALLOY, GOLD PLATED
- 3. INSULATOR: PEI
- 4. SCREW: STEEL, PASSIVATED

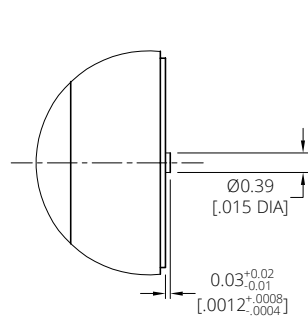
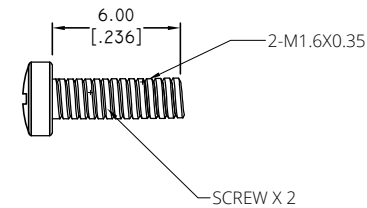
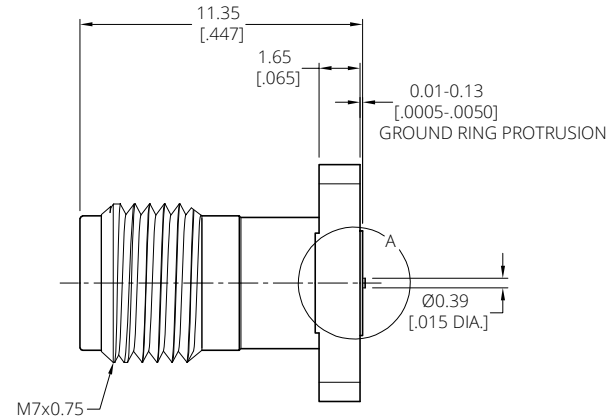
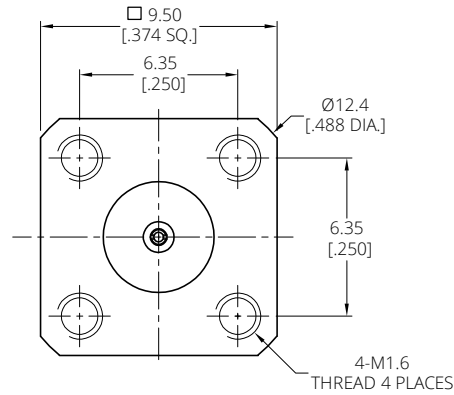
**ELECTRICAL DATA:**

- 1. IMPEDANCE: 50 OHMS
- 2. FREQUENCY RANGE: DC-65 GHz
- 3. VSWR: 1.35 MAX.

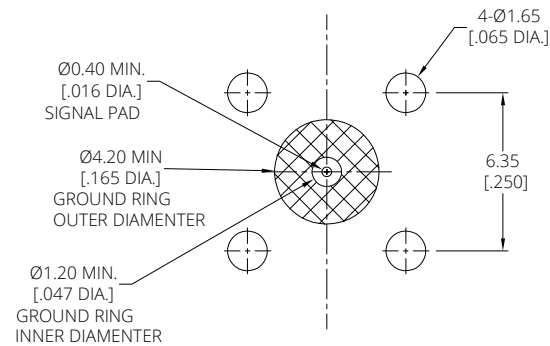
REVISIONS			
REV.	DESCRIPTION	DATE	APPROVED
A	INITIAL RELEASE	09/09/24	J. Q

**ENVIRONMENTAL DATA:**

- 1. TEMPERATURE RANGE: -40°C--+125°C
- 2. 2011/65/EU(RoHS) AND 2015/863/(RoHS): COMPLIANT
- 3. 1999/45/EC(REACH): COMPLIANT



DETAIL A



PCB LAYOUT RECOMMENDATIONS

DRAWN	W. Y	DATE	09/09/24
CHECKED	X. Y	DATE	09/09/24
APPROVED	J. Q	DATE	09/09/24

UNLESS OTHERWISE SPECIFIED DIMENSIONS ARE IN MILLIMETERS, DIMENSIONS IN [ ] ARE IN INCHES FOR CUSTOMER REFERENCE ONLY UNLESS OTHERWISE SPECIFIED TOLERANCE ARE:

XX	±0.13 [005"]
X	±0.20 [008"]
X	±0.50 [019"]
X*	±1*
X*	±2*

THESE DRAWINGS AND SPECIFICATIONS ARE THE PROPERTY OF ANOISON ELECTRONICS LTD AND SHOULD NOT BE USED WITHOUT WRITTEN PERMISSION COPYRIGHT © 2024 ANOISON ELECTRONICS LTD

<b>TITLE</b> 1.85MM FEMALE VERTICAL LAUNCH STRIPLINE, 4 HOLE FLANGE, COMPRESSION MOUNT			
<b>VIEW</b>		<b>PART NO.</b> ANO 6212-3068	
		<b>SIZE</b> A3	<b>SCALE</b> 5:1
		<b>SHEET</b> 1/1	<b>REV.</b> A

4

3

2

1