

4

3

2

1

**MATERIAL & FINISH:**

- 1. BODY: STAINLESS STEEL, PASSIVATED
- 2. CENTER CONTACT: BERYLLIUM COPPER ALLOY, GOLD PLATED
- 3. INSULATOR: PEI
- 4. SCREW: STEEL, PASSIVATED

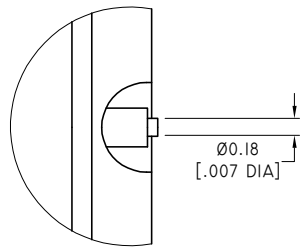
**ENVIRONMENTAL DATA:**

- 1. TEMPERATURE RANGE: -40°C--+125°C
- 2. 2011/65/EU(RoHS) AND 2015/863/(RoHS): COMPLIANT
- 3. 1999/45/EC(REACH): COMPLIANT

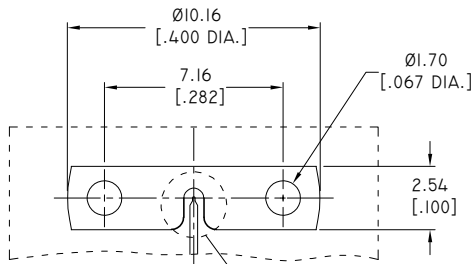
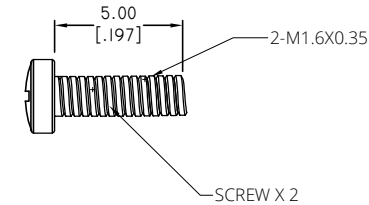
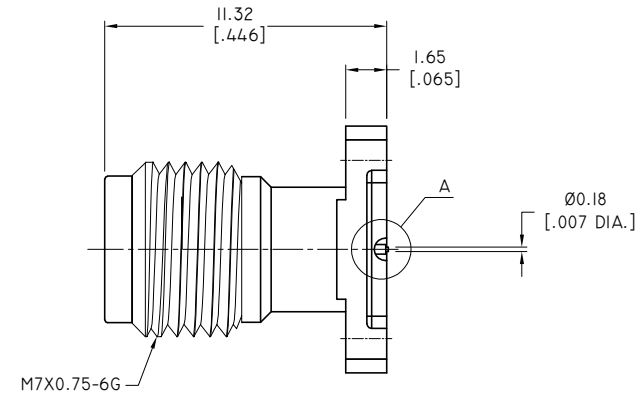
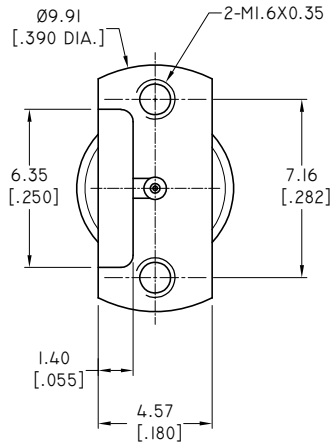
**ELECTRICAL DATA:**

- 1. IMPEDANCE: 50 OHMS
- 2. FREQUENCY RANGE: DC-65 GHz

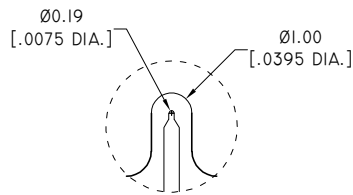
REVISIONS			
REV.	DESCRIPTION	DATE	APPROVED
A	INITIAL RELEASE	11/11/21	J. QU



DETAIL A



PCB MOUNTING DETAIL



DETAIL B

DRAWN	W. YANG	DATE	11/11/21
CHECKED	L. YANG	DATE	11/11/21
APPROVED	J. QU	DATE	11/11/21
UNLESS OTHERWISE SPECIFIED DIMENSIONS ARE IN MILLIMETERS, DIMENSIONS IN [ ] ARE IN INCHES FOR CUSTOMER REFERENCE ONLY UNLESS OTHERWISE SPECIFIED TOLERANCE ARE:		THESE DRAWINGS AND SPECIFICATIONS ARE THE PROPERTY OF ANOISON ELECTRONICS LTD AND SHOULD NOT BE USED WITHOUT WRITTEN PERMISSION COPYRIGHT © 2021 ANOISON ELECTRONICS LTD	
XX	±0.13 [0.005"]		
X	±0.20 [0.008"]		
X*	±0.50 [0.019"]		
X**	±1*		
X***	±2*		

TITLE 1.85MM FEMALE 2 HOLE FLANGE, VERTICAL LAUNCH, MICROSTRIP			
VIEW 		PART NO. ANO 6212-3051	
SIZE A3	SCALE 5:1	SHEET 1/1	REV. A

4

3

2

1