

4 3 2 1

REVISIONS			
REV.	DESCRIPTION	DATE	APPROVED
A	INITIAL RELEASE	06/24/21	J. QU

MATERIAL & FINISH

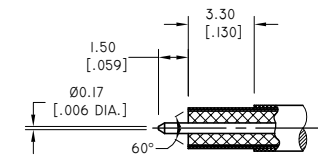
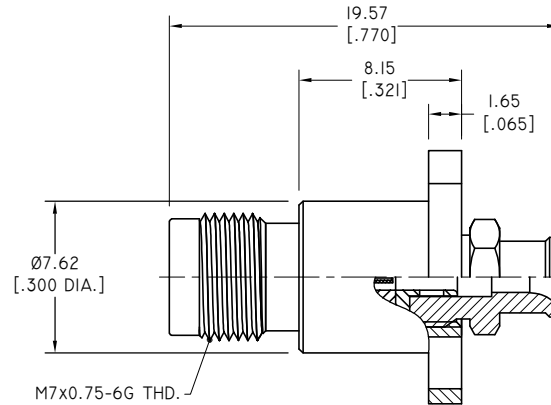
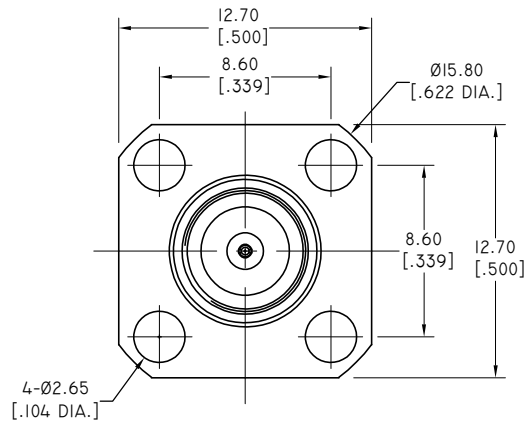
- 1 HOUSING: STAINLESS STEEL, PASSIVATED
- 2 FLG CBL NUT: STAINLESS STEEL, PASSIVATED
- 3 CABLE ADP: BRASS, GOLD PLATED
- 4 CENTER CONTACT: BERYLLIUM COPPER ALLOY, GOLD PLATED
- 5 INSULATOR: PEI

ELECTRICAL DATA:

- 1 IMPEDANCE: 50 OHMS
- 2 FREQUENCY RANGE: DC~67 GHZ

ENVIRONMENTAL DATA:

- 1 OPERATING TEMPERATURE RANGE: -55°C~+135°C
- 2 2011/65/EU (RoHS): COMPLIANT



CABLE STRIPPING DIMENSIONS

DRAWN	W. YANG	DATE	06/24/21
CHECKED	L. YANG	DATE	06/24/21
APPROVED	J. QU	DATE	06/24/21
UNLESS OTHERWISE SPECIFIED DIMENSIONS ARE IN MILLIMETERS, DIMENSIONS IN [] ARE IN INCHES FOR CUSTOMER REFERENCE ONLY UNLESS OTHERWISE SPECIFIED TOLERANCE ARE:		THESE DRAWINGS AND SPECIFICATIONS ARE THE PROPERTY OF ANOISON ELECTRONICS LTD AND SHOULD NOT BE USED WITHOUT WRITTEN PERMISSION COPYRIGHT © 2021 ANOISON ELECTRONICS LTD	
.XX	±0.13 [.005"]		
.X	±0.20 [.008"]		
X	±0.50 [.019"]		
X°	±1°		
X"	±2°		



TITLE
1.85MM STRAIGHT FEMALE, 4 HOLE FLANGE, SOLDER FOR .047 S/R CABLE

VIEW	PART NO. ANO 6212-3049			
	SIZE A3	SCALE 5:1	SHEET 1/1	REV. A

4 3 2 1