

4

3

2

1

MATERIAL & FINISH:

- 1. BODY: STAINLESS STEEL, PASSIVATED
- 2. CENTER CONTACT: BERYLLIUM COPPER ALLOY, GOLD PLATED
- 3. INSULATOR: PEI
- 4. SCREW: STEEL, PASSIVATED

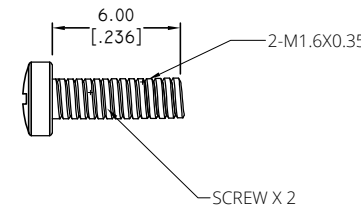
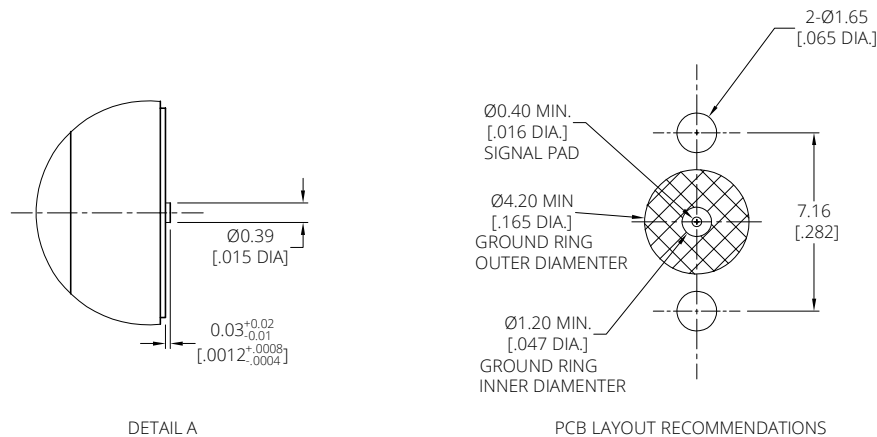
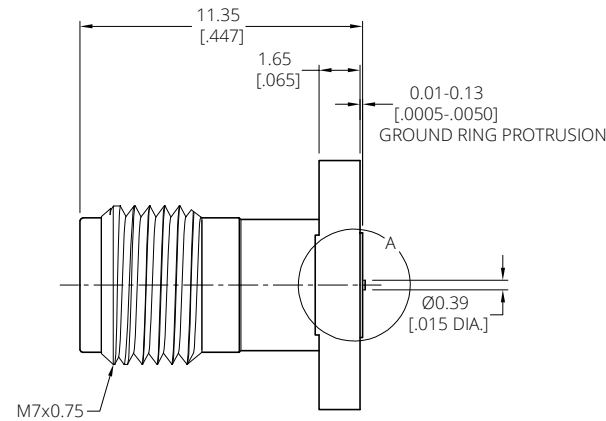
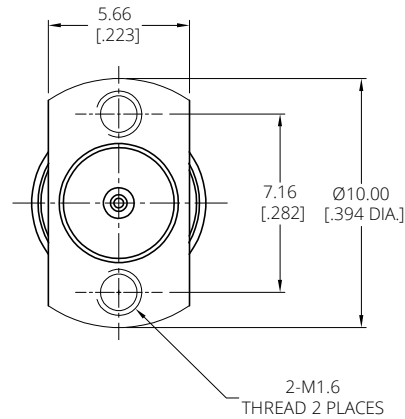
ELECTRICAL DATA:

- 1. IMPEDANCE: 50 OHMS
- 2. FREQUENCY RANGE: DC-65 GHz
- 3. VSWR: 1.35 MAX.

ENVIRONMENTAL DATA:

- 1. TEMPERATURE RANGE: -40°C--+125°C
- 2. 2011/65/EU(RoHS) AND 2015/863/(RoHS): COMPLIANT
- 3. 1999/45/EC(REACH): COMPLIANT

REVISIONS			
REV.	DESCRIPTION	DATE	APPROVED
A	INITIAL RELEASE	08/24/20	J. QU
B	ADDED SCREW	09/30/20	J. QU
C	CHANGED DRAWING	05/10/21	J. QU
D	CHANGED SCREW LENGTH	12/27/21	J. QU
E	CHANGED DRAWING	03/12/22	J. QU



DRAWN	W. YANG	DATE	03/12/22
CHECKED	L. YANG	DATE	03/12/22
APPROVED	J. QU	DATE	03/12/22
UNLESS OTHERWISE SPECIFIED DIMENSIONS ARE IN MILLIMETERS, DIMENSIONS IN [] ARE IN INCHES FOR CUSTOMER REFERENCE ONLY UNLESS OTHERWISE SPECIFIED TOLERANCE ARE:		THESE DRAWINGS AND SPECIFICATIONS ARE THE PROPERTY OF ANOISON ELECTRONICS LTD AND SHOULD NOT BE USED WITHOUT WRITTEN PERMISSION COPYRIGHT © 2022 ANOISON ELECTRONICS LTD	
XX	±0.13 [0.005"]		
X	±0.20 [0.008"]		
X	±0.50 [0.019"]		
X*	±1°		
X*	±2°		

TITLE 1.85MM FEMALE VERTICAL LAUNCH STRIPLINE, 2 HOLE FLANGE, COMPRESSION MOUNT			
VIEW		PART NO. ANO 6212-3041	
		SIZE A3	SCALE 5:1
		SHEET 1/1	REV. E

4

3

2

1