

4

3

2

1

REVISIONS			
REV.	DESCRIPTION	DATE	APPROVED
A	INITIAL RELEASE	02/28/20	J. QU

MATERIAL & FINISH

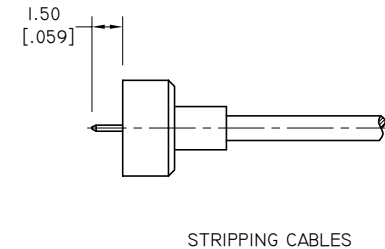
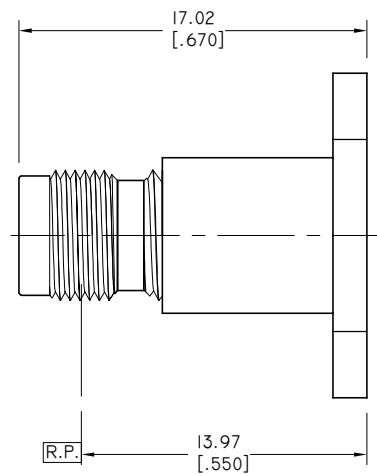
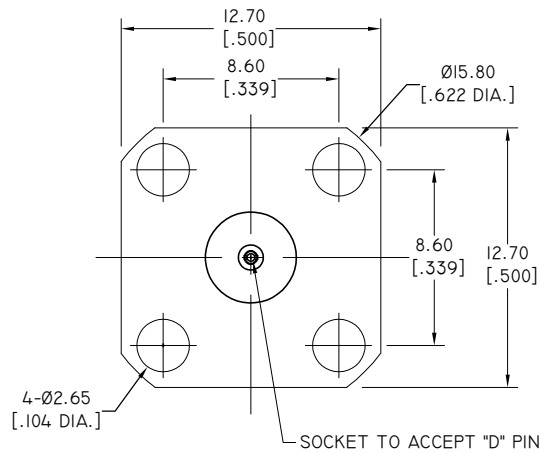
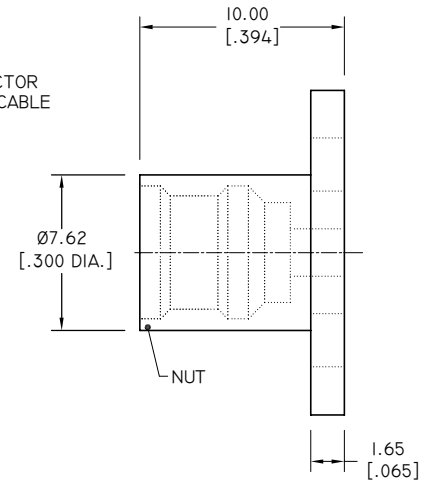
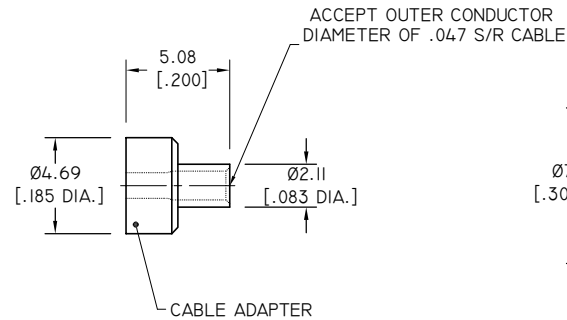
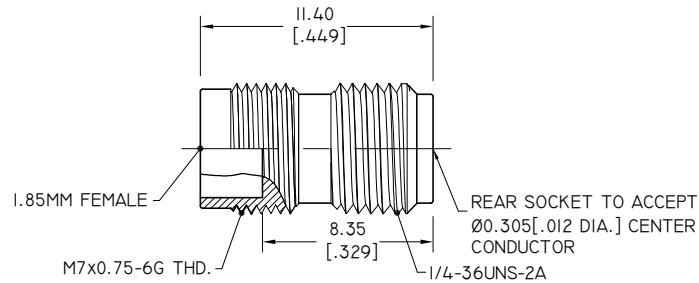
- 1 HOUSING: STAINLESS STEEL, PASSIVATED
- 2 FLG CBL NUT: STAINLESS STEEL, PASSIVATED
- 3 CABLE ADP: BRASS, GOLD PLATED
- 4 CENTER CONTACT: BERYLLIUM COPPER ALLOY, GOLD PLATED
- 5 INSULATOR: PEI

ELECTRICAL DATA:

- 1 IMPEDANCE: 50 OHMS
- 2 FREQUENCY RANGE: DC-67 GHZ

ENVIRONMENTAL DATA:

- 1 OPERATING TEMPERATURE RANGE: -55°C~+135°C
- 2 2011/65/EU (RoHS): COMPLIANT



STRIPPING CABLES

DRAWN	W. YANG	DATE	02/28/20
CHECKED	L. YANG	DATE	02/28/20
APPROVED	J. QU	DATE	02/28/20

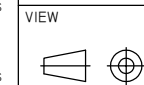


UNLESS OTHERWISE SPECIFIED DIMENSIONS ARE IN MILLIMETERS, DIMENSIONS IN [] ARE IN INCHES FOR CUSTOMER REFERENCE ONLY UNLESS OTHERWISE SPECIFIED TOLERANCE ARE:

.XX	±0.13 [0.005"]
.X	±0.20 [0.008"]
X	±0.50 [0.019"]
X°	±1°
X°	±2°

THESE DRAWINGS AND SPECIFICATIONS ARE THE PROPERTY OF ANOISON ELECTRONICS LTD AND SHOULD NOT BE USED WITHOUT WRITTEN PERMISSION COPYRIGHT © 2020 ANOISON ELECTRONICS LTD

TITLE
1.85MM STRAIGHT FEMALE, 4 HOLE FLANGE, SOLDER FOR .047 S/R CABLE



PART NO. ANO 6212-3037			
SIZE A3	SCALE 5:1	SHEET 1/1	REV. A

4

3

2

1