

4

3

2

1

MATERIAL & FINISH:

- 1 BODY: STAINLESS STEEL, PASSIVATED
- 2 CENTER CONTACT: BERYLLIUM COPPER ALLOY, GOLD PLATED
- 3 INSULATOR: PEI, PTFE

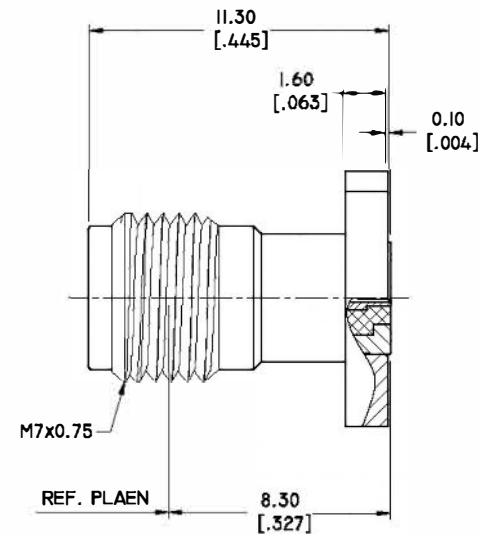
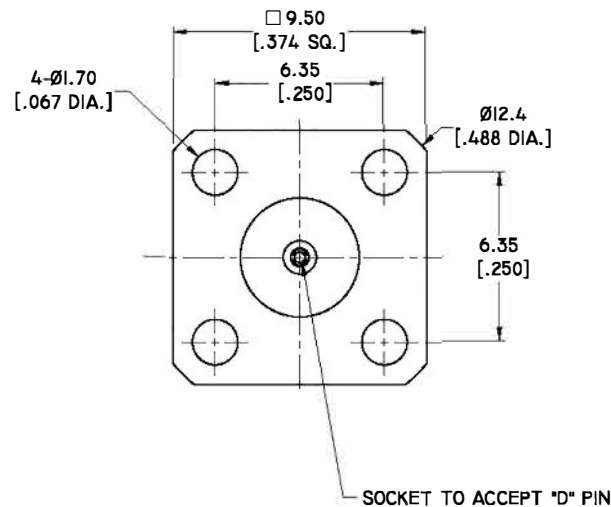
ELECTRICAL DATA:

- 1 IMPEDANCE: 50 Ω
- 2 FREQUENCY RANGE: DC~27 GHz
- 3 VSWR: 1.20 MAX.

ENVIRONMENTAL DATA:

- 1 TEMPERATURE RANGE: -55°C~+165°C
- 2 2011/65/EU(RoHS) AND 2015/863/(RoHS): COMPLIANT
- 3 1999/45/EC(REACH): COMPLIANT

REVISIONS			
REV.	DESCRIPTION	DATE	APPROVED
A	INITIAL RELEASE	09/12/19	J. QU



PART NO.	D	PIN DEPTH MAX.
ANO 6212-3036-1	Ø0.25 [.009 DIA.]	2.00 [.079]
ANO 6212-3036-2	Ø0.30 [.012 DIA.]	2.00 [.079]

DRAWN	W. YANG	DATE	09/12/19
CHECKED	L. YANG	DATE	09/12/19
APPROVED	J. QU	DATE	09/12/19
UNLESS OTHERWISE SPECIFIED DIMENSIONS ARE IN MILLIMETERS, DIMENSIONS IN [] ARE IN INCHES FOR CUSTOMER REFERENCE ONLY UNLESS OTHERWISE SPECIFIED TOLERANCE ARE:		THESE DRAWINGS AND SPECIFICATIONS ARE THE PROPERTY OF ANOISON ELECTRONICS LTD AND SHOULD NOT BE USED WITHOUT WRITTEN PERMISSION COPYRIGHT © 2019 ANOISON ELECTRONICS LTD	
.XX	±0.06 [.003"]		
.X	±0.20 [.008"]		
X	±0.50 [.019"]		
.X°	±1°		
X°	±2°		

ANOISON
...we create connection for technologies

TITLE
1.85MM STRAIGHT FEMALE, 4 HOLE .374 SQ. FLANGE, FIELD REPLACEABLE, PTFE BACK FILLED, 27GHZ

VIEW	PART NO. ANO 6212-3036		
SIZE	A3	SCALE	5:1
SHEET	1/1	REV.	A

4

3

2

1