

MATERIAL & FINISH:

- 1 BODY: STAINLESS STEEL, PASSIVATEDL
- 2 CENTER CONTACT: BERYLLIUM COPPER ALLOY, GOLD PLATED
- 3 INSULATOR: PEI

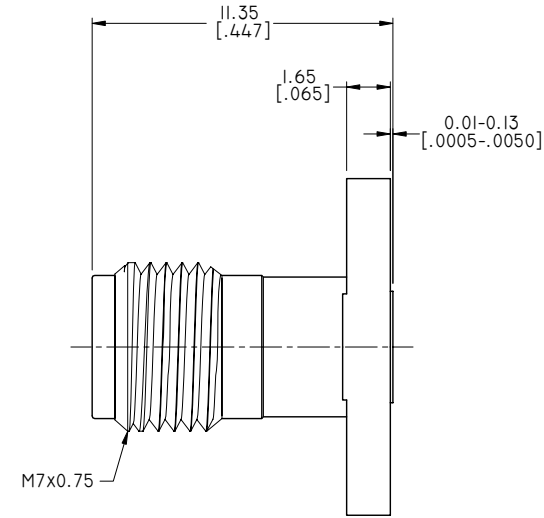
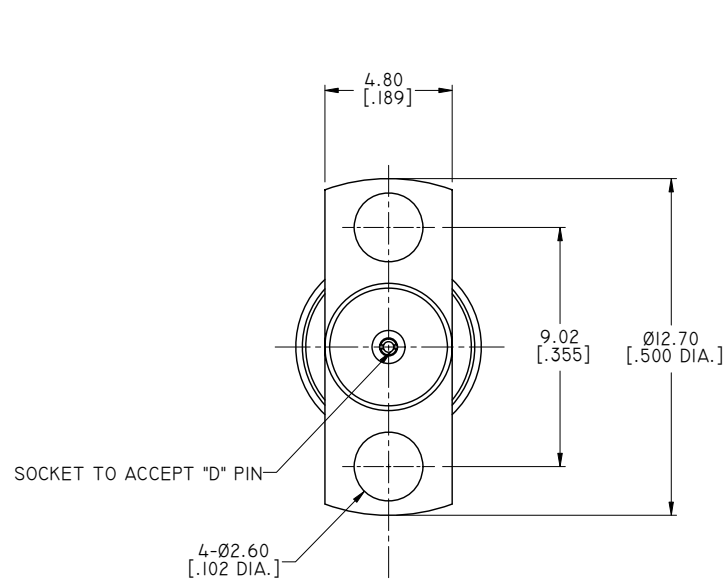
ELECTRICAL DATA:

- 1 IMPEDANCE: 50 Ω
- 2 FREQUENCY RANGE: DC~65 GHZ
- 3 VSWR: 1.25 MAX.

REVISIONS			
REV.	DESCRIPTION	DATE	APPROVED
A	INITIAL RELEASE	05/24/17	J. QU

ENVIRONMENTAL DATA:

- 1 TEMPERATURE RANGE: -55°C~+165°C
- 2 2011/65/EU (RoHS): COMPLIANT



PART NO.	D	PIN DEPTH MAX.
ANO 6212-3020-1	Ø0.23 [.009 DIA.]	2.00 [.079]
ANO 6212-3020-2	Ø0.30 [.012 DIA.]	2.00 [.079]

DRAWN	W. YANG	DATE	05/24/17
CHECKED	L. YANG	DATE	05/24/17
APPROVED	J. QU	DATE	05/24/17
UNLESS OTHERWISE SPECIFIED DIMENSIONS ARE IN MILLIMETERS. DIMENSIONS IN [] ARE IN INCHES FOR CUSTOMER REFERENCE ONLY UNLESS OTHERWISE SPECIFIED TOLERANCE ARE:		THESE DRAWINGS AND SPECIFICATIONS ARE THE PROPERTY OF ANOISON ELECTRONICS LTD AND SHOULD NOT BE USED WITHOUT WRITTEN PERMISSION COPYRIGHT © 2017 ANOISON ELECTRONICS LTD	
.XX	±0.08 [.003"]		
.X	±0.20 [.008"]		
X	±0.50 [.019"]		
.X°	±1°		
X°	±2°		



TITLE			
1.85MM STRAIGHT FEMALE, 2 HOLE .500 LONG FLANGE, FIELD REPLACEABLE			
VIEW		PART NO.	
		ANO 6212-3020	
SIZE	SCALE	SHEET	REV.
A3	5:1	1/1	A