

4

3

2

1

| REVISIONS | | | |
|-----------|-----------------|----------|----------|
| REV. | DESCRIPTION | DATE | APPROVED |
| A | INITIAL RELEASE | 12/22/15 | J. QU |

MATERIAL & FINISH

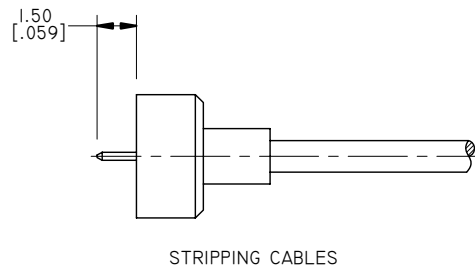
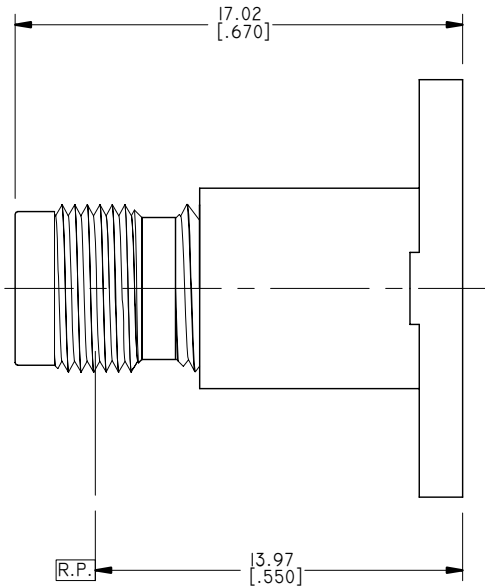
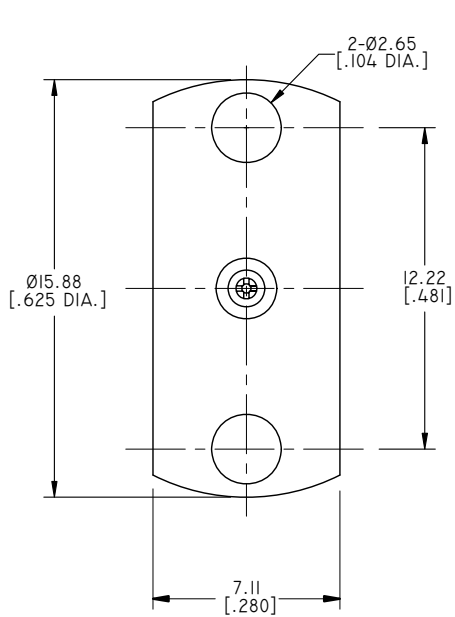
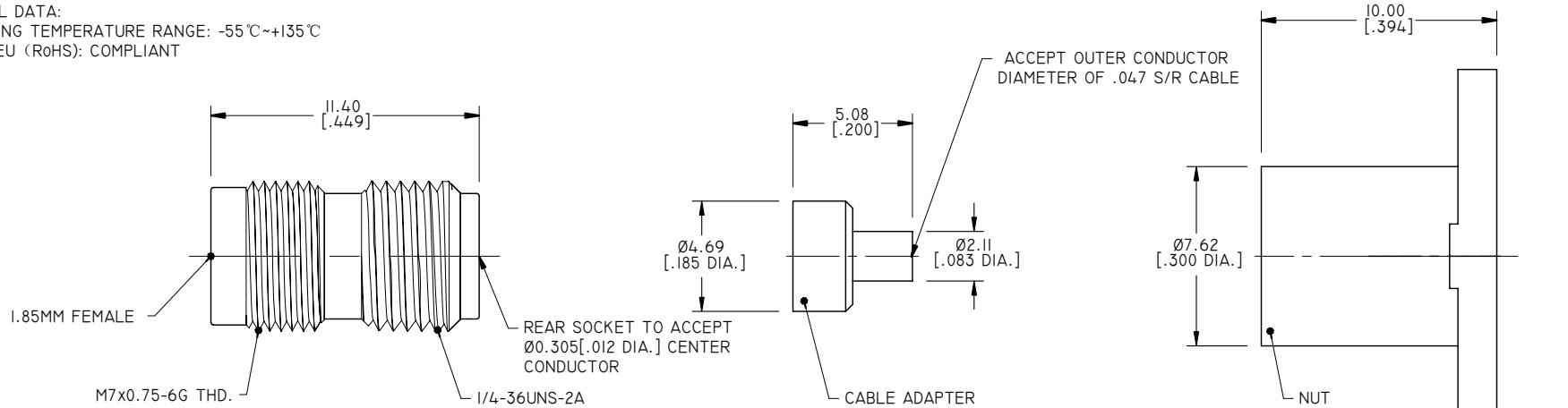
- 1 HOUSING: STAINLESS STEEL, PASSIVATED
- 2 FLG CBL NUT: STAINLESS STEEL, PASSIVATED
- 3 CABLE ADP: BRASS, GOLD PLATED
- 4 CENTER CONTACT: BERYLLIUM COPPER ALLOY, GOLD PLATED
- 5 INSULATOR: PEI

ELECTRICAL DATA:

- 1 IMPEDANCE: 50 OHMS
- 2 FREQUENCY RANGE: DC-65 GHZ

ENVIRONMENTAL DATA:

- 1 OPERATING TEMPERATURE RANGE: -55°C~+135°C
- 2 2011/65/EU (RoHS): COMPLIANT



| | | | |
|---|---------------|--|----------|
| DRAWN | P. CHEN | DATE | 12/22/15 |
| CHECKED | L. YANG | DATE | 12/22/15 |
| APPROVED | J. QU | DATE | 12/22/15 |
| UNLESS OTHERWISE SPECIFIED DIMENSIONS ARE IN MILLIMETERS, DIMENSIONS IN [] ARE IN INCHES FOR CUSTOMER REFERENCE ONLY UNLESS OTHERWISE SPECIFIED TOLERANCE ARE: | | THESE DRAWINGS AND SPECIFICATIONS ARE THE PROPERTY OF ANOISON ELECTRONICS LTD AND SHOULD NOT BE USED WITHOUT WRITTEN PERMISSION COPYRIGHT © 2015 ANOISON ELECTRONICS LTD | |
| .XX | ±0.13 [.005"] | | |
| .X | ±0.20 [.008"] | | |
| X | ±0.50 [.019"] | | |
| .X° | ±1° | | |
| X° | ±2° | | |



TITLE
1.85MM STRAIGHT FEMALE, 2 HOLE FLANGE, SOLDER FOR .047 S/R CABLE

| | | | | |
|------|------------------------|-----------|-----------|--------|
| VIEW | PART NO. ANO 6212-3005 | | | |
| | SIZE A3 | SCALE 5:1 | SHEET 1/1 | REV. A |

4

3

2

1