

4 3 2 1

REVISIONS			
REV.	DESCRIPTION	DATE	APPROVED
A	INITIAL RELEASE	10/31/24	J Q

MATERIAL & FINISH:

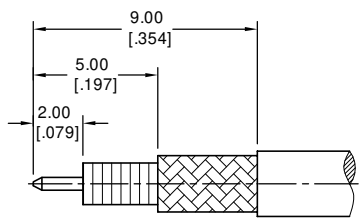
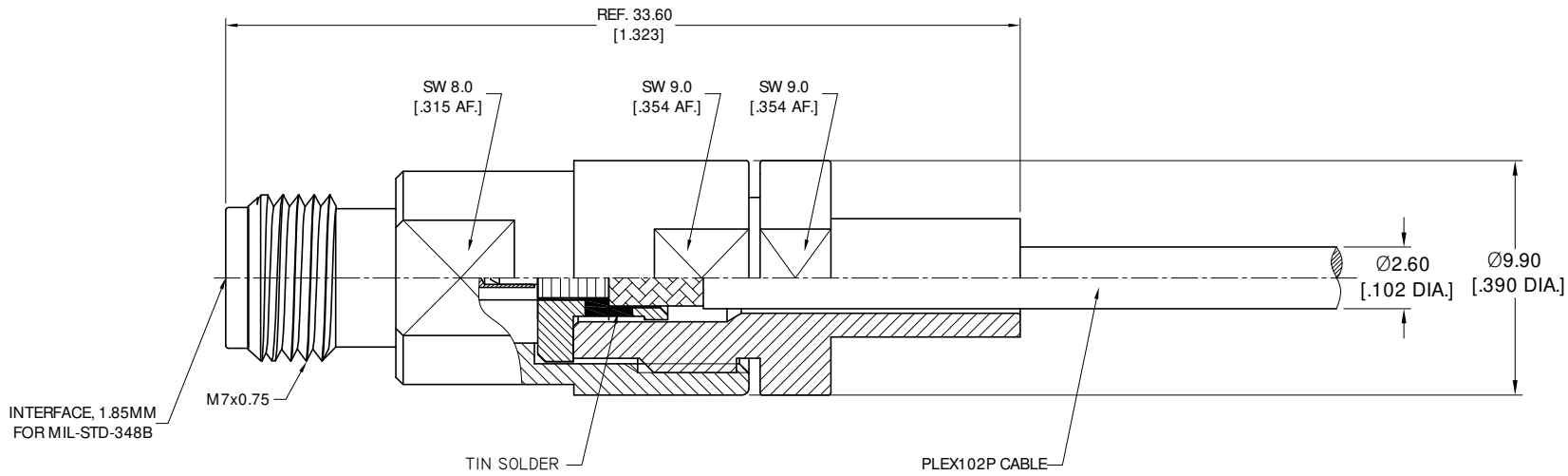
1. BODY: STAINLESS STEEL, PASSIVATED
2. CENTER CONTACT: BERYLLIUM COPPER ALLOY, GOLD PLATED
3. INSULATOR: PEI

ELECTRICAL DATA:

1. IMPEDANCE: 50 OHMS
2. FREQUENCY RANGE: DC-67 GHz
3. VSWR: 1.35 MAX.

ENVIRONMENTAL DATA:

1. TEMPERATURE RANGE: -40 °C ~ +125 °C
2. 2011/65/EU (RoHS) AND 2015/863/(RoHS): COMPLIANT
3. 1999/45/EC (REACH): COMPLIANT



CABLE STRIPPING DIMENSIONS

DRAWN	P. C	DATE	10/31/24
CHECKED	L. Y	DATE	10/31/24
APPROVED	J Q	DATE	10/31/24
UNLESS OTHERWISE SPECIFIED DIMENSIONS ARE IN MILLIMETERS, DIMENSIONS IN [] ARE IN INCHES FOR CUSTOMER REFERENCE ONLY UNLESS OTHERWISE SPECIFIED TOLERANCE ARE:		THESE DRAWINGS AND SPECIFICATIONS ARE THE PROPERTY OF ANOISON ELECTRONICS LTD AND SHOULD NOT BE USED WITHOUT WRITTEN PERMISSION COPYRIGHT © 2024 ANOISON ELECTRONICS LTD	
XX	±0.13 [0.005"]		
X	±0.20 [0.008"]		
X	±0.50 [0.019"]		
X"	±1°		
X"	±2°		



TITLE
1.85MM STRAIGHT FEMALE SOLDER FOR PLEX102P CABLE, CAPTIVATED CONTACT

VIEW	PART NO. ANO 6212-2030
SIZE A3	SCALE 5:1
SHEET 1/1	REV. A

4 3 2 1