

1.0 MATERIAL & FINISH

- 1.1 BODY: STAINLESS STEEL, PASSIVATED
- 1.2 CENTER CONTACT: BERYLLIUM COPPER ALLOY, GOLD PLATED
- 1.3 COUPLING NUT: STAINLESS STEEL, PASSIVATED
- 1.4 INSULATOR: PEI

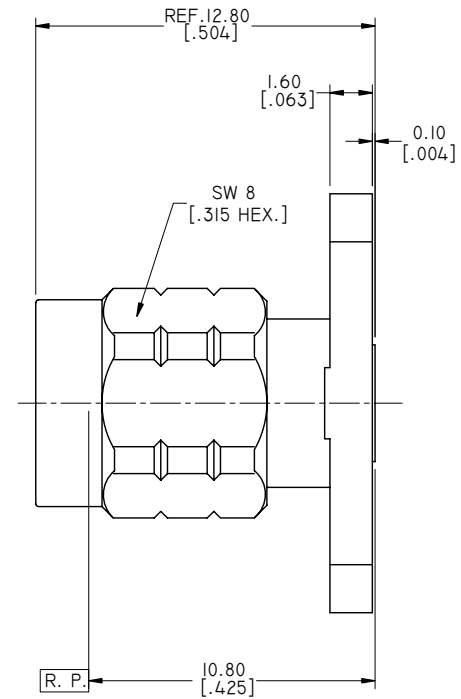
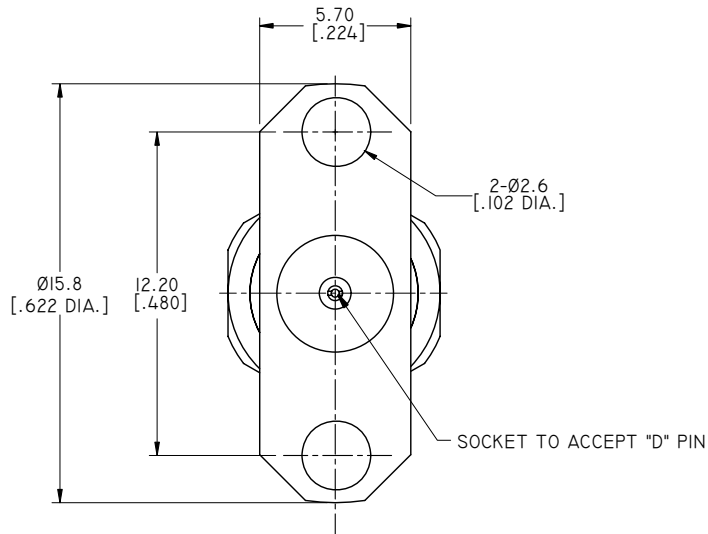
3.0 ELECTRICAL DATA:

- 3.1 IMPEDANCE: 50 OHMS
- 3.2 FREQUENCY RANGE: DC~65GHZ
- 3.3 VSWR: 1.25 MAX.

2.0 ENVIRONMENTAL DATA:

- 2.1 TEMPERATURE RANGE: -55°C~+165°C
- 2.2 2011/65/EU (RoHS): COMPLIANT

REVISIONS			
REV.	DESCRIPTION	DATE	APPROVED
A	INITIAL RELEASE	05/16/16	J. QU
B	OUTLINE DRAWING CHANGED	05/16/16	J. QU



P/N	D	PIN DEPTH MAX.
ANO 621I-301I-1	Ø0.23 [.009 DIA.]	2.00 [.079]
ANO 621I-301I-2	Ø0.30 [.012 DIA.]	2.00 [.079]

DRAWN	P. CHEN	DATE	11/09/17
CHECKED	L. YANG	DATE	11/09/17
APPROVED	J. QU	DATE	11/09/17
UNLESS OTHERWISE SPECIFIED DIMENSIONS ARE IN MILLIMETERS. DIMENSIONS IN [ ] ARE IN INCHES FOR CUSTOMER REFERENCE ONLY UNLESS OTHERWISE SPECIFIED TOLERANCE ARE:		THESE DRAWINGS AND SPECIFICATIONS ARE THE PROPERTY OF ANOISON ELECTRONICS LTD AND SHOULD NOT BE USED WITHOUT WRITTEN PERMISSION COPYRIGHT © 2017 ANOISON ELECTRONICS LTD	
.XX	±0.13 [.005"]		
.X	±0.20 [.008"]		
X	±0.50 [.019"]		
.X°	±1°		
X°	±2°		

**TITLE**  
1.85MM STRAIGHT MALE 2 HOLE .622" FLANGE MOUNT, FIELD REPLACEABLE

**PART NO.**  
ANO 621I-301I

<b>VIEW</b>		<b>SIZE</b> A3	<b>SCALE</b> 5:1	<b>SHEET</b> 1/1	<b>REV.</b> B
-------------	--	-------------------	---------------------	---------------------	------------------

D  
C  
B  
A

D  
C  
B  
A

4

3

2

1

4

3

2

1