

4

3

2

1

1.0 MATERIAL & FINISH

- 1.1 BODY: STAINLESS STEEL, PASSIVATED
- 1.2 CENTER CONTACT: BERYLLIUM COPPER ALLOY, GOLD PLATED
- 1.3 COUPLING NUT: STAINLESS STEEL, PASSIVATED
- 1.4 SOLDER FERRULE: BRASS, GOLD PLATED
- 1.5 INSULATOR: PEI

2.0 ENVIRONMENTAL DATA:

- 2.1 TEMPERATURE RANGE: -55°C~+165°C
- 2.2 2011/65/EU (RoHS): COMPLIANT

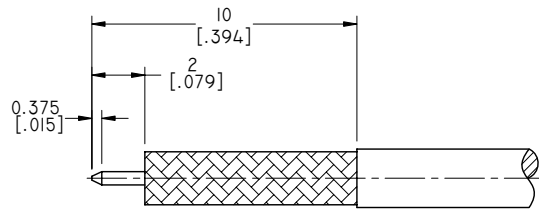
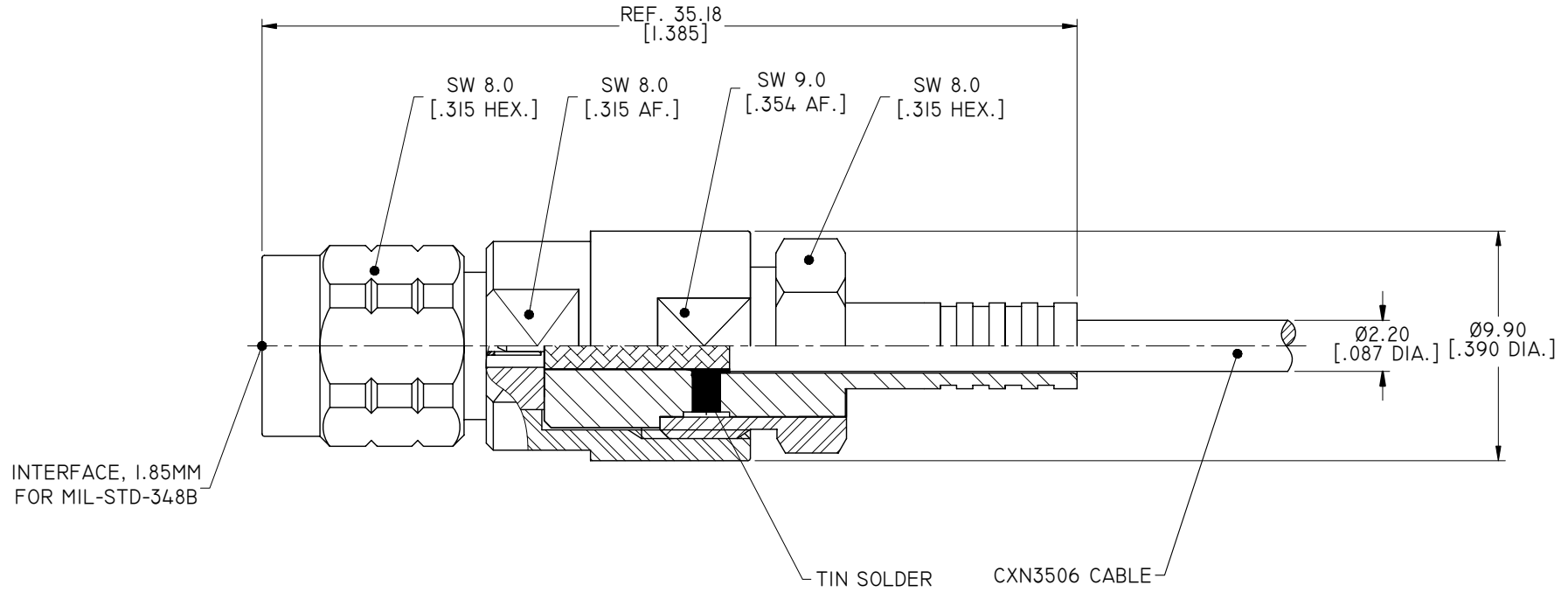
3.0 ELECTRICAL DATA:

- 3.1 IMPEDANCE: 50 OHMS
- 3.2 FREQUENCY RANGE: DC~65GHZ
- 3.3 VSWR: 1.25 TYP. DC~40GHZ;
1.35 TYP. 40~65GHZ

4.0 MECHANICAL DATA:

- 4.1 MECHANICAL DURABILITY: 500 CYCLES MIN.
- 4.2 CENTER CONTACT: CAPTIVATED
- 4.3 OUTER CONTACT: SOLDERED

REVISIONS			
REV.	DESCRIPTION	DATE	APPROVED
A	INITIAL RELEASE	12/14/16	J. QU
B	CHANGED ELECTRICAL DATA	08/10/17	J. QU



CABLE STRIPPING DIMENSIONS

DRAWN	P. CHEN	DATE	08/10/17
CHECKED	L. YANG	DATE	08/10/17
APPROVED	J. QU	DATE	08/10/17
UNLESS OTHERWISE SPECIFIED DIMENSIONS ARE IN MILLIMETERS. DIMENSIONS IN [] ARE IN INCHES FOR CUSTOMER REFERENCE ONLY UNLESS OTHERWISE SPECIFIED TOLERANCE ARE:		THESE DRAWINGS AND SPECIFICATIONS ARE THE PROPERTY OF ANOISON ELECTRONICS LTD AND SHOULD NOT BE USED WITHOUT WRITTEN PERMISSION COPYRIGHT © 2017 ANOISON ELECTRONICS LTD	
.XX	±0.13 [.005"]		
.X	±0.20 [.008"]		
X	±0.50 [.019"]		
.X°	±1°		
X°	±2°		



TITLE			
1.85MM STRAIGHT MALE SOLDER FOR CXN3506 CABLE, CAPTIVATED CONTACT			
VIEW		PART NO.	
		ANO 6211-2003	
SIZE	SCALE	SHEET	REV.
A3	5:1	1/1	B

4

3

2

1