

4

3

2

1

REVISIONS

REV.	DESCRIPTION	DATE	APPROVED
A	INITIAL RELEASE	06/16/23	J. Q

MATERIAL & FINISH:

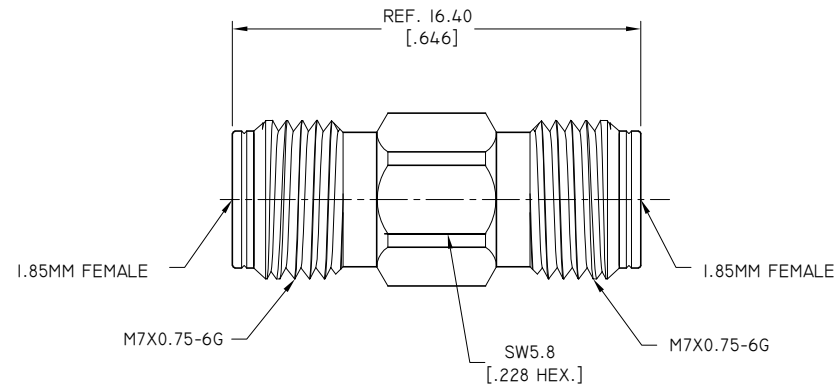
- 1 BODY: STAINLESS STEEL, PASSIVATED
- 2 CENTER CONTACT: BERYLLIUM COPPER, GOLD PLATED
- 3 INSULATOR: PEI

ENVIRONMENTAL DATA:

- 1 TEMPERATURE RANGE: -55°C~+125°C
- 2 2011/65/EU(RoHS) AND 2015/863/(RoHS): COMPLIANT
- 3 1907/2006/EC(REACH) AND 1999/45/EC(REACH): COMPLIANT

ELECTRICAL DATA:

- 1 IMPEDANCE: 50 Ω
- 2 FREQUENCY RANGE: DC~67 GHz
- 3 VSWR: 1.30 MAX.
- 4 AVERAGE POWER: MAXIMUM POWER 2 WATTS AVERAGE TO 25°C AMBIENT TEMPERATURE, DERATED LINEARLY TO 0.2W @ 125°C
- 5 PEAK POWER: MAXIMUM POWER 50 W
- 6 ATTENUATOR ACCURACY: SEE TABLE



PART NO.	ATTENUATION VALUES & ACCURACY			
	1 DB ~ 3 DB	4 ~ 8 DB	9 ~ 25 DB	26 ~ 40 DB
ANO 62-0202-XX	+0.9 DB -0.6 DB	+1.0 DB -0.7 DB	±0.8 DB	+1.0 DB -0.9 DB

NOTE: XX REFER TO ATTENUATION VALUE IN DB

DRAWN	W. Y	DATE	06/16/23
CHECKED	X. Y	DATE	06/16/23
APPROVED	J. Q	DATE	06/16/23
UNLESS OTHERWISE SPECIFIED DIMENSIONS ARE IN MILLIMETERS, DIMENSIONS IN [ ] ARE IN INCHES FOR CUSTOMER REFERENCE ONLY UNLESS OTHERWISE SPECIFIED TOLERANCE ARE:		THESE DRAWINGS AND SPECIFICATIONS ARE THE PROPERTY OF ANOISON ELECTRONICS LTD AND SHOULD NOT BE USED WITHOUT WRITTEN PERMISSION COPYRIGHT © 2023 ANOISON ELECTRONICS LTD	
.XX	±0.13 [.005"]		
.X	±0.25 [.010"]		
X	±0.50 [.019"]		
.X*	±1*		
X*	±2*		



TITLE			
ATTENUATOR 1.85MM FEMALE TO 1.85MM FEMALE, 2W, DC-67GHZ			
VIEW	PART NO.		
	ANO 62-0202-XX		
SIZE	SCALE	SHEET	REV.
A3	5:1	1/1	A

4

3

2

1