

MATERIAL & FINISH:

- 1 BODY: BRASS, NICKEL PLATED
- 2 CENTER CONTACT: PHOSPHOR BRONZE, SILVER PLATED
- 3 INSULATOR: PTFE

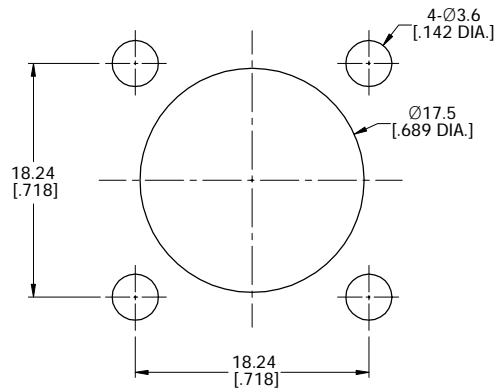
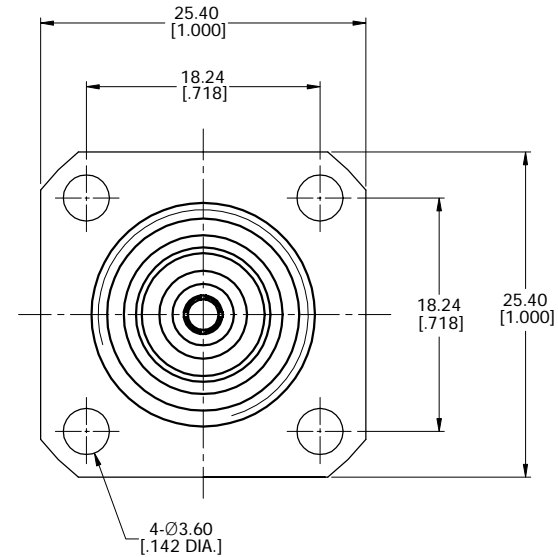
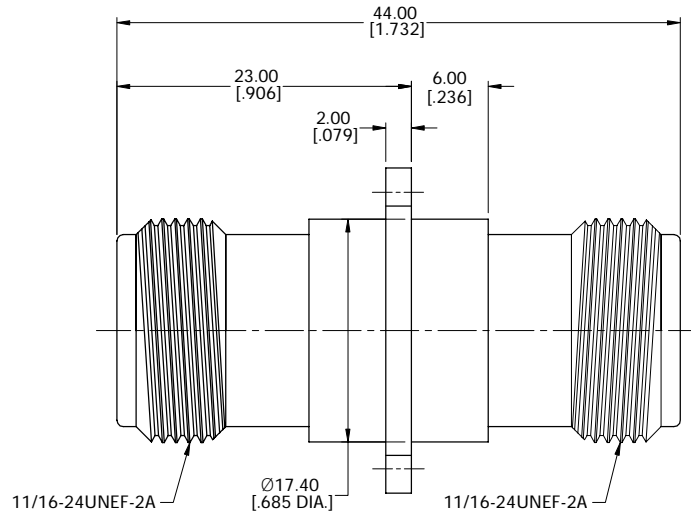
ELECTRICAL DATA:

- 1 IMPEDANCE: 50 Ω
- 2 FREQUENCY RANGE: DC-11GHz
- 3 VSWR: 1.25 MAX.

ENVIRONMENTAL DATA:

- 1 TEMPERATURE RANGE: -55°C ~ +125°C
- 2 2011/65/EU(RoHS) AND 2015/863/(RoHS): COMPLIANT
- 3 1907/2006/EC(REACH): COMPLIANT

REVISIONS			
REV.	DESCRIPTION	DATE	APPROVED
A	INITIAL RELEASE	08/18/23	J. Q



RECOMMENDED MOUNTING HOLE

DRAWN	X. Y	DATE	08/18/23	
CHECKED	W. Y	DATE	08/18/23	
APPROVED	J. Q	DATE	08/18/23	
UNLESS OTHERWISE SPECIFIED DIMENSIONS ARE IN MILLIMETERS, DIMENSIONS IN [] ARE IN INCHES FOR CUSTOMER REFERENCE ONLY UNLESS OTHERWISE SPECIFIED TOLERANCE ARE:		THESE DRAWINGS AND SPECIFICATIONS ARE THE PROPERTY OF ANOISON ELECTRONICS LTD AND SHOULD NOT BE USED WITHOUT WRITTEN PERMISSION COPYRIGHT © 2023 ANOISON ELECTRONICS LTD		
	XX	±0.13 [.005"]		
	X	±0.20 [.008"]		
	X	±0.50 [.019"]		
	X°	±1°		
	X°	±2°		
TITLE		ADAPTER, SC FEMALE TO SC FEMALE, 4 HOLE FLANGE MOUNT		
VIEW	PART NO. ANO 592-592-1640			
	SIZE	SCALE	SHEET	REV.
	A3	2.5:1	1/1	A