

MATERIAL & FINISH:

- 1 BODY: BRASS, NICKEL PLATED
- 2 CENTER CONTACT: PHOSPHOR BRONZE, GOLD PLATED
- 3 INSULATOR: PTFE

ENVIRONMENTAL DATA:

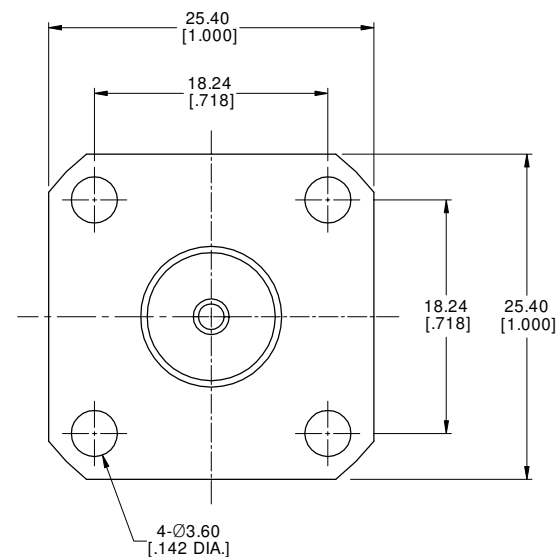
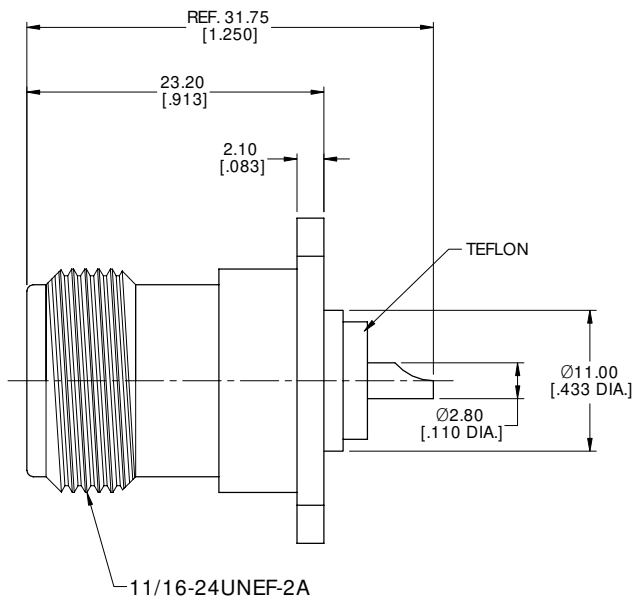
- 1 TEMPERATURE RANGE: -55°C~+125°C
- 2 2011/65/EU(RoHS)\A1; AND 2015/863/(RoHS): COMPLIANT
- 3 1907/2006/EC(REACH): COMPLIANT

ELECTRICAL DATA:


- 1 IMPEDANCE: 50 Ω
- 2 FREQUENCY RANGE: DC~8 GHz

REVISIONS

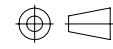
REV.	DESCRIPTION	DATE	APPROVED
A	INITIAL RELEASE	12/07/22	J Q



DRAWN	X. Y	DATE	12/07/22
CHECKED	W. Y	DATE	12/07/22
APPROVED	J Q	DATE	12/07/22
UNLESS OTHERWISE SPECIFIED DIMENSIONS ARE IN MILLIMETERS, DIMENSIONS IN [] ARE IN INCHES FOR CUSTOMER REFERENCE ONLY UNLESS OTHERWISE SPECIFIED TOLERANCE ARE:		THESE DRAWINGS AND SPECIFICATIONS ARE THE PROPERTY OF ANOISON ELECTRONICS LTD AND SHOULD NOT BE USED WITHOUT WRITTEN PERMISSION COPYRIGHT © 2022 ANOISON ELECTRONICS LTD	
.XX	±0.13 [.005"]		
.X	±0.20 [.008"]		
X	±0.50 [.019"]		
.X°	±1°		
X°	±2°		



TITLE
SC STRAIGHT FEMALE, 4 HOLE FLANGE MOUNT .718 INCH HOLE SPACING, SOLDER CUP TERMINAL

VIEW 

PART NO.
ANO 5912-3020

SIZE A3	SCALE 2.5:1	SHEET 1/1	REV. A
-------------------	-----------------------	---------------------	------------------