

4

3

2

1

## MATERIAL &amp; FINISH:

- 1 OUTER CONTACT: BRASS, SILVER PLATED
- 2 CENTER CONTACT: BRASS, SILVER PLATED
- 3 BODY: BRASS, NICKEL PLATED
- 4 COUPLING NUT: BRASS, NICKEL PLATED
- 5 REATINING RING: PHOSPHOR BRONZE, NICKEL PLATED
- 6 INSULATOR: PTFE
- 7 GASKET: MVQ(SILICONE RUBBER)

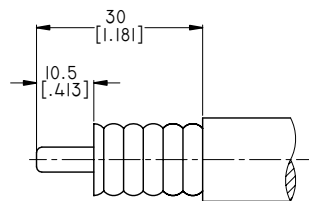
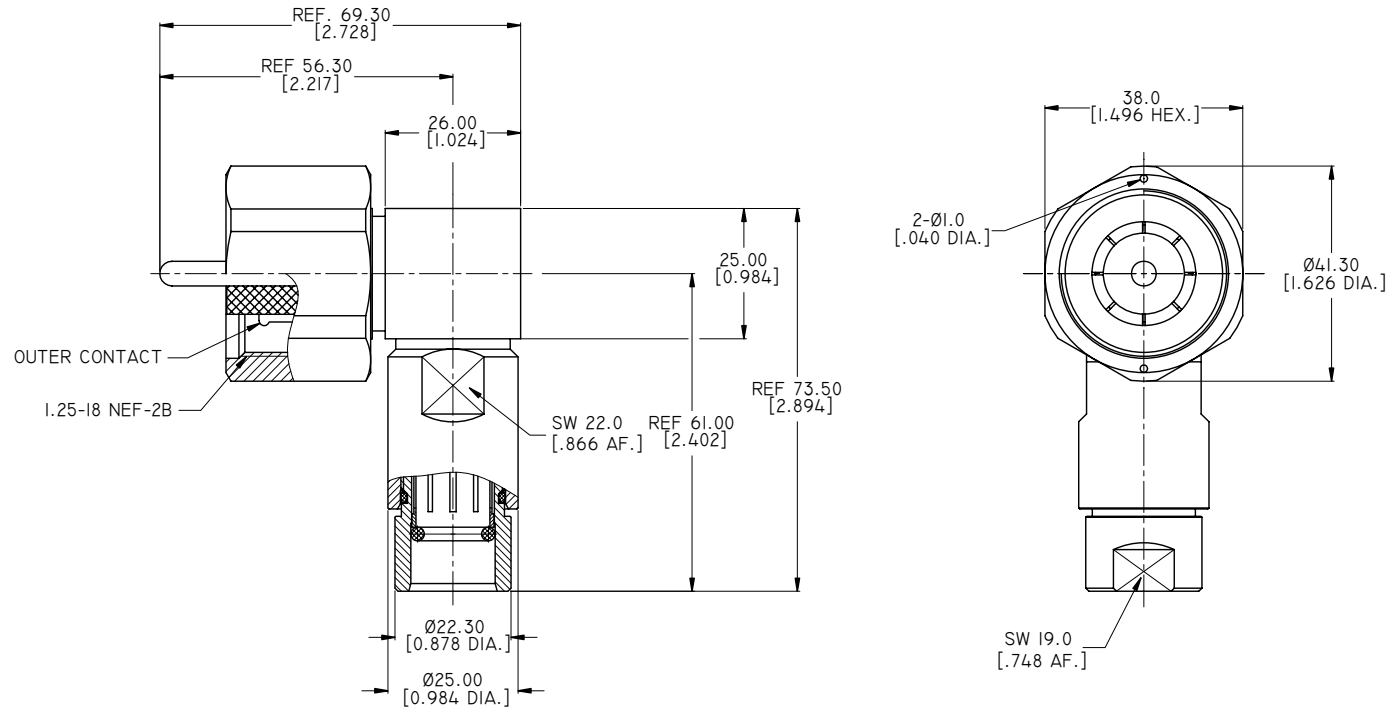
## ELECTRICAL DATA:

- 1 IMPEDANCE: 50 Ω
- 2 FREQUENCY RANGE: DC~1 GHZ
- 3 VSWR: ≤1.50


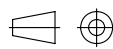
## ENVIRONMENTAL DATA:

- 1 TEMPERATURE RANGE: -55°C~+125°C
- 2 2011/65/EU(ROHS) AND 2015/863/(ROHS): COMPLIANT
- 3 1999/45/EC(REACH): COMPLIANT

REVISIONS			
REV.	DESCRIPTION	DATE	APPROVED
D	ADDED ELECTRICAL DATA	05/18/11	J. QU
E	1. 2015/863/(ROHS): COMPLIANT ADDED 2. 1999/45/EC(REACH): COMPLIANT ADDED	10/09/18	J. QU



CABLE STRIPPING DIMENSIONS

DRAWN	P. CHEN	DATE	10/09/18				
CHECKED	X. B. YANG	DATE	10/09/18				
APPROVED	J. QU	DATE	10/09/18				
UNLESS OTHERWISE SPECIFIED DIMENSIONS ARE IN MILLIMETERS, DIMENSIONS IN [ ] ARE IN INCHES FOR CUSTOMER REFERENCE ONLY UNLESS OTHERWISE SPECIFIED TOLERANCE ARE:		THESE DRAWINGS AND SPECIFICATIONS ARE THE PROPERTY OF ANOISON ELECTRONICS LTD AND SHOULD NOT BE USED WITHOUT WRITTEN PERMISSION COPYRIGHT © 2018 ANOISON ELECTRONICS LTD		TITLE LC R/A MALE CONNECTOR CLAMP/NON-SOLDER CONTACT ATTACHMENT FOR 1/2 INCH ANNULAR			
.XX ±0.13 [.005"] .X ±0.20 [.008"] X ±0.50 [.019"] .X° ±1° X° ±2°				VIEW 		PART NO. ANO 5821-2001	
				SIZE A3	SCALE 1:1	SHEET 1/1	REV. B

4

3

2

1