

4

3

2

1

MATERIAL & FINISH

- 1 BODY: BRASS, ALBALOY PLATED
- 2 CENTER CONTACT: PHOSPHOR BRONZE, SILVER PLATED
- 3 INSULATOR: PTFE

ENVIRONMENTAL DATA:

- 1 TEMPERATURE RANGE: -55°C~+125°C
- 2 2011/65/EU (RoHS): COMPLIANT

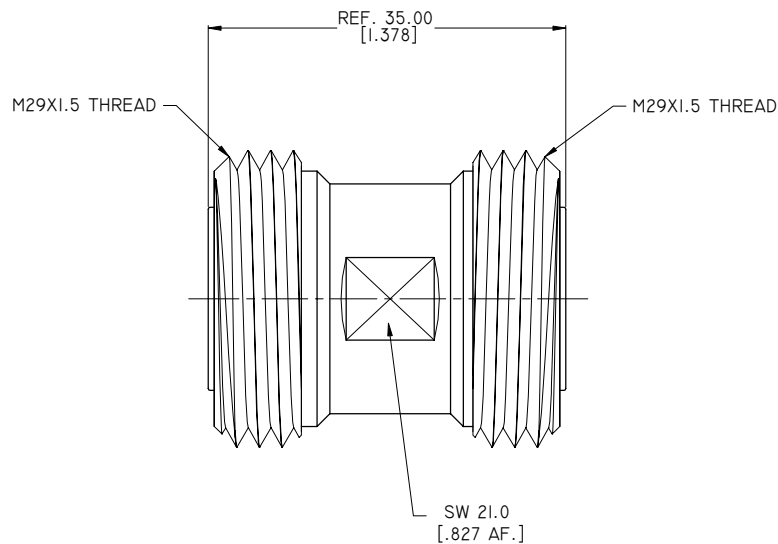
ELECTRICAL DATA:

- 1 IMPEDANCE: 50 OHMS
- 2 FREQUENCY RANGE: DC~6 GHZ
- 3 VSWR: 1.10 MAX. AT DC~3 GHZ
1.20 MAX. AT 3~6 GHZ
- 4 WITHSTANDING VOLTAGE: 4000 VRMS MIN.
- 5 INTERMODULATION(3R*; ORDER): <-155 DBC(2X43 DBM) AT 0.4~3 GHZ

MECHANICAL DATA:

- 1 NET WEIGHT: 84.69 G

REVISIONS			
REV.	DESCRIPTION	DATE	APPROVED
A	INITIAL RELEASE	04/19/18	J. QU
B	FREQUENCY RANGE CHANGED TO DC~6 GHZ	08/15/22	J. QU



DRAWN	X. Y	DATE	08/15/22
CHECKED	W. Y	DATE	08/15/22
APPROVED	J. Q	DATE	08/15/22



UNLESS OTHERWISE SPECIFIED DIMENSIONS ARE IN MILLIMETERS, DIMENSIONS IN [] ARE IN INCHES FOR CUSTOMER REFERENCE ONLY UNLESS OTHERWISE SPECIFIED TOLERANCE ARE:

.XX	±0.13 [.005"]
.X	±0.20 [.008"]
X	±0.50 [.019"]
.X°	±1°
X°	±2°

THESE DRAWINGS AND SPECIFICATIONS ARE THE PROPERTY OF ANOISON ELECTRONICS LTD AND SHOULD NOT BE USED WITHOUT WRITTEN PERMISSION COPYRIGHT © 2022 ANOISON ELECTRONICS LTD

TITLE	
ADAPTER, 7/16 FEMALE TO 7/16 FEMALE	

VIEW	PART NO.		
	ANO 562-562-1452		
SIZE	SCALE	SHEET	REV.
A3	2:1	1/1	B

4

3

2

1