

MATERIAL & FINISH:

- 1 BODY: BRASS, ALBALOY PLATED
- 2 CENTER CONTACT: PHOSPHOR BRONZE, SILVER PLATED
- 3 INSULATOR: PTFE

ELECTRICAL DATA:

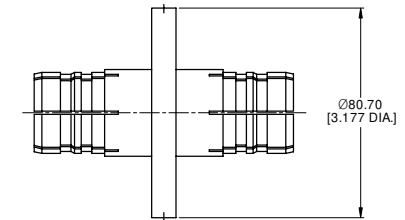
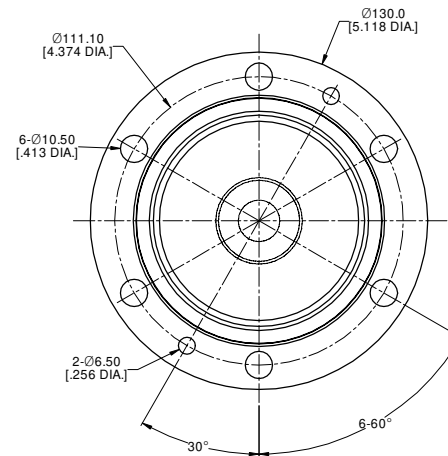
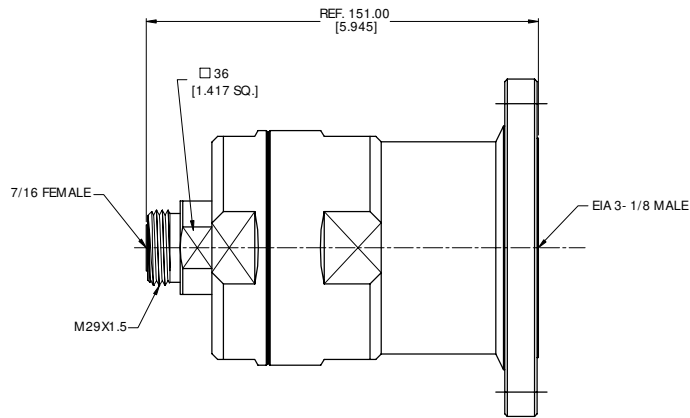
- 1 IMPEDANCE: 50 Ω
- 2 FREQUENCY RANGE: DC~1000 MHZ
- 3 WORKING VOLTAGE: 2700 V MAX.

ENVIRONMENTAL DATA:

- 1 TEMPERATURE RANGE: -55°C~+125°C
- 2 2011/65/EU (RoHS) AND 2015/863/(RoHS): COMPLIANT
- 3 1907/2006/EC(REACH): COMPLIANT

REVISIONS

REV.	DESCRIPTION	DATE	APPROVED
A	INITIAL RELEASE	05/10/22	J QU



DRAWN	XB. YANG	DATE	05/10/22
CHECKED	W. YANG	DATE	05/10/22
APPROVED	J QU	DATE	05/10/22
UNLESS OTHERWISE SPECIFIED DIMENSIONS ARE IN MILLIMETERS, DIMENSIONS IN [] ARE IN INCHES FOR CUSTOMER REFERENCE ONLY UNLESS OTHERWISE SPECIFIED TOLERANCE ARE:		THESE DRAWINGS AND SPECIFICATIONS ARE THE PROPERTY OF ANOISON ELECTRONICS LTD AND SHOULD NOT BE USED WITHOUT WRITTEN PERMISSION COPYRIGHT © 2022 ANOISON ELECTRONICS LTD	
	.XX	±0.13 [.005"]	
	.X	±0.20 [.008"]	
	X	±0.50 [.019"]	
	.X°	±1°	
	X°	±2°	



TITLE
 ADAPTER 7/16 FEMALE TO EIA 3-1/8 MALE

VIEW	PART NO. ANO 562-411-1592		
	SIZE A3	SCALE 1:1	SHEET 1/1
			REV. A