

MATERIAL & FINISH:

- 1 BODY: BRASS, NICKEL PLATED
- 2 CENTER CONTACT: PHOSPHOR BRONZE, SILVER PLATED
- 3 INSULATOR: PTFE

MECHANICAL DATA:

- 1 MECHANICAL DURABILITY: 500 CYCLES MIN.
- 2 7/16 INTERFACE COMPLIANT WITH IEC60169-4
- 3 HN INTERFACE COMPLIANT WITH MIL-STD-348

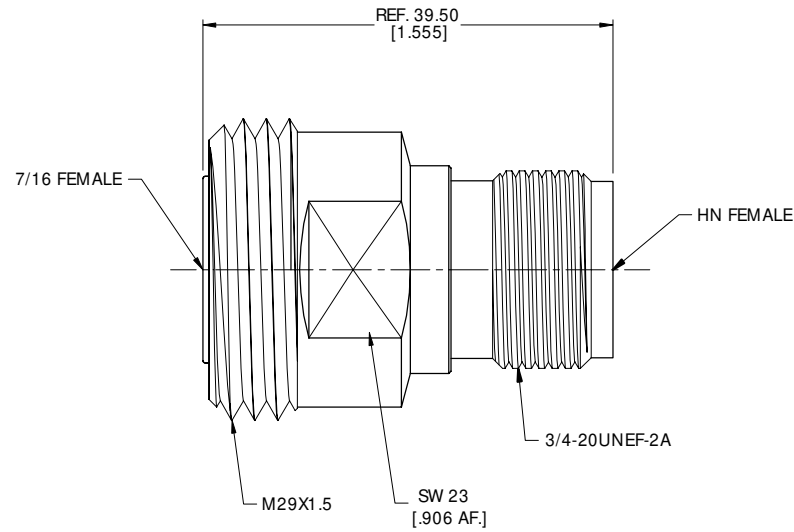
ELECTRICAL DATA:

- 1 IMPEDANCE: 50 Ω
- 2 FREQUENCY RANGE: DC~4 GHz

ENVIRONMENTAL DATA:

- 1 TEMPERATURE RANGE: -55°C ~ +125°C
- 2 2011/65/EU(RoHS) AND 2015/863/(RoHS): COMPLIANT
- 3 1907/2006/EC(REACH): COMPLIANT

| REVISIONS | | | |
|-----------|-----------------------------------------|----------|----------|
| REV. | DESCRIPTION | DATE | APPROVED |
| A | INITIAL RELEASE | 12/14/21 | J QU |
| B | CENTER CONTACT FINISH CHANGDE TO SILVER | 12/29/21 | J QU |



| | | | |
|-----------------------------------------------------------------------------------------------------------------------------------------------------------------|---------------|--------------------------------------------------------------------------------------------------------------------------------------------------------------------------|----------|
| DRAWN | XB. YANG | DATE | 12/29/21 |
| CHECKED | W. YANG | DATE | 12/29/21 |
| APPROVED | J QU | DATE | 12/29/21 |
| UNLESS OTHERWISE SPECIFIED DIMENSIONS ARE IN MILLIMETERS, DIMENSIONS IN [] ARE IN INCHES FOR CUSTOMER REFERENCE ONLY UNLESS OTHERWISE SPECIFIED TOLERANCE ARE: | | THESE DRAWINGS AND SPECIFICATIONS ARE THE PROPERTY OF ANOISON ELECTRONICS LTD AND SHOULD NOT BE USED WITHOUT WRITTEN PERMISSION COPYRIGHT © 2021 ANOISON ELECTRONICS LTD | |
| .XX | ±0.13 [.005"] | | |
| .X | ±0.20 [.008"] | | |
| X | ±0.50 [.019"] | | |
| .X° | ±1° | | |
| X° | ±2° | | |



| | | | |
|----------------------------------|-------|------------------|------|
| TITLE | | | |
| ADAPTER 7/16 FEMALE TO HN FEMALE | | | |
| VIEW | | PART NO. | |
| | | ANO 562-372-1577 | |
| SIZE | SCALE | SHEET | REV. |
| A3 | 2:1 | 1/1 | B |