

MATERIAL & FINISH:

- 1 BODY: BRASS, NICKEL PLATED
- 2 CENTER CONTACT: PHOSPHOR BRONZE, SILVER PLATED
- 3 INSULATOR: PTFE

ELECTRICAL DATA:

- 1 IMPEDANCE: 50 Ω
- 2 FREQUENCY RANGE: DC~2 GHz

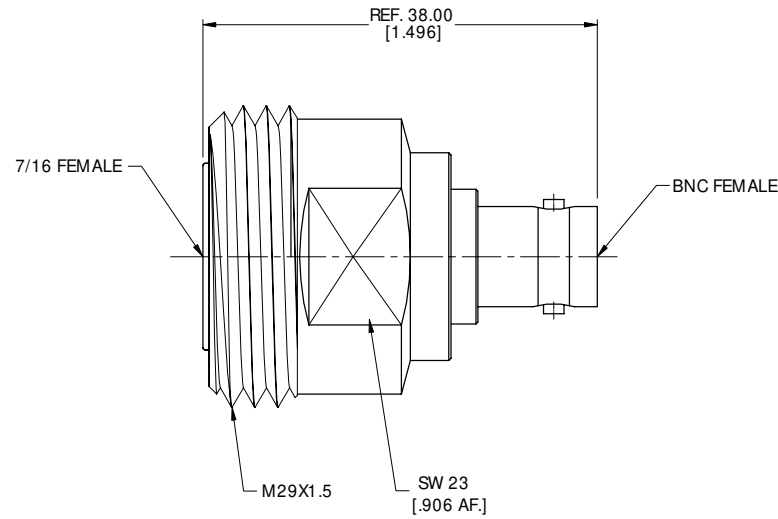
MECHANICAL DATA:

- 1 MECHANICAL DURABILITY: 500 CYCLES MIN.
- 2 7/16 INTERFACE COMPLIANT WITH IEC60169-4
- 3 BNC INTERFACE COMPLIANT WITH MIL-STD-348

ENVIRONMENTAL DATA:

- 1 TEMPERATURE RANGE: -55°C ~ +125°C
- 2 2011/65/EU(RoHS) AND 2015/863/(RoHS): COMPLIANT
- 3 1907/2006/EC(REACH): COMPLIANT

REVISIONS			
REV.	DESCRIPTION	DATE	APPROVED
A	INITIAL RELEASE	12/13/21	J QU
B	CENTER CONTACT FINISH CHANGDE TO SILVER	12/29/21	J QU



DRAWN	XB. YANG	DATE	12/29/21
CHECKED	W. YANG	DATE	12/29/21
APPROVED	J QU	DATE	12/29/21
UNLESS OTHERWISE SPECIFIED DIMENSIONS ARE IN MILLIMETERS, DIMENSIONS IN [] ARE IN INCHES FOR CUSTOMER REFERENCE ONLY UNLESS OTHERWISE SPECIFIED TOLERANCE ARE:		THESE DRAWINGS AND SPECIFICATIONS ARE THE PROPERTY OF ANOISON ELECTRONICS LTD AND SHOULD NOT BE USED WITHOUT WRITTEN PERMISSION COPYRIGHT © 2021 ANOISON ELECTRONICS LTD	
.XX	±0.13 [.005"]		
.X	±0.20 [.008"]		
X	±0.50 [.019"]		
.X°	±1°		
X°	±2°		



TITLE			
ADAPTER 7/16 FEMALE TO BNC FEMALE			
VIEW		PART NO.	
		ANO 562-312-1579	
SIZE	SCALE	SHEET	REV.
A3	2:1	1/1	B