

MATERIAL & FINISH:

- 1 BODY: BRASS, ALBALOY PLATED
- 2 CENTER CONTACT: PHOSPHOR BRONZE, SILVER PLATED
- 3 LOCK WASHER: PHOSPHOR BRONZE, ALBALOY PLATED
- 4 FASTENING NUT: BRASS, ALBALOY PLATED
- 3 INSULATOR: PTFE
- 4 O-RING: SILICONE RUBBER

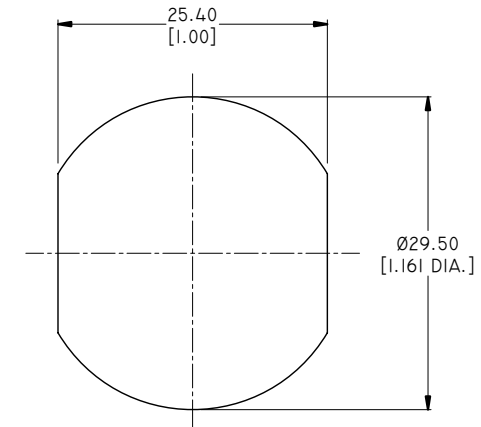
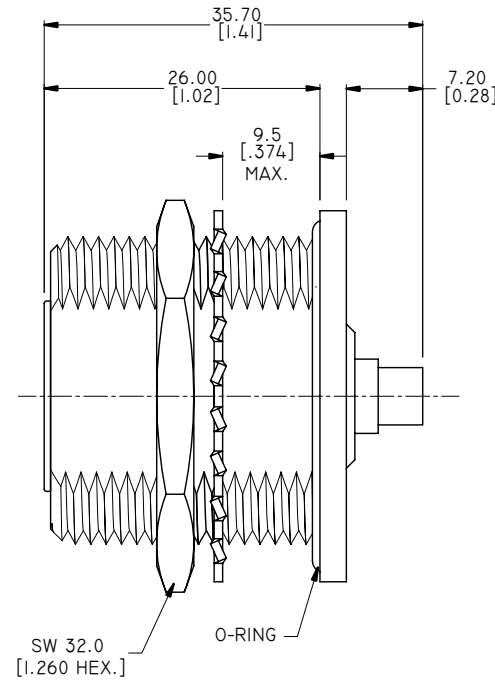
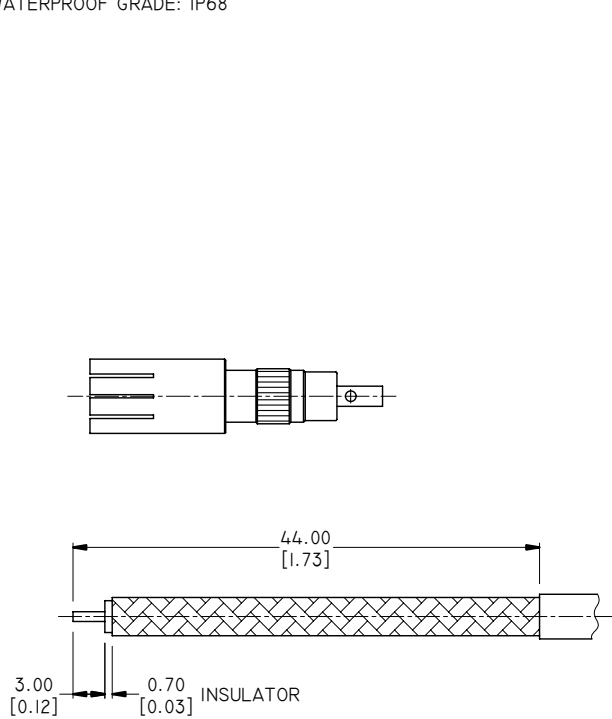
ENVIRONMENTAL DATA:

- 1 TEMPERATURE RANGE: -55°C ~ +125°C
- 2 2011/65/EU (RoHS): COMPLIANT
- 3 WATERPROOF GRADE: IP68

ELECTRICAL DATA:

- 1 IMPEDANCE: 50 Ω
- 2 FREQUENCY RANGE: DC~7.5 GHz
- 3 VSWR: 1.03 MAX. AT DC~2 GHz
1.08 MAX. AT DC~6 GHz
- 4 WORKING VOLTAGE: 2.7 KV MAX. AT 50HZ
- 5 POWER: 1.8 KW AT 1 GHz

REVISIONS			
REV.	DESCRIPTION	DATE	APPROVED
A	INITIAL RELEASE	02/13/17	J. QU



DRAWN	X. B. YANG	DATE	02/13/17
CHECKED	P. CHEN	DATE	02/13/17
APPROVED	J. QU	DATE	02/13/17
UNLESS OTHERWISE SPECIFIED DIMENSIONS ARE IN MILLINETERS, DIMENSIONS IN [] ARE IN INCHES FOR CUSTOMER REFERENCE ONLY UNLESS OTHERWISE SPECIFIED TOLERANCE ARE:		THESE DRAWINGS AND SPECIFICATIONS ARE THE PROPERTY OF ANOISON ELECTRONICS LTD AND SHOULD NOT BE USED WITHOUT WRITTEN PERMISSION COPYRIGHT © 2017 ANOISON ELECTRONICS LTD	
.XX	±0.13 [0.005"]		
.X	±0.20 [0.008"]		
X	±0.50 [0.019"]		
.X°	±1°		
X°	±2°		



TITLE			
7/16 STRAIGHT BULKHEAD FEMALE SOLDER FOR .141 CABLE			
VIEW	PART NO.		
	ANO 5612-5047		
SIZE	SCALE	SHEET	REV.
A3	2:1	1/1	B