

MATERIAL & FINISH:

- 1 BODY: BRASS, ALBALOY PLATED
- 2 CENTER CONTACT: PHOSPHOR BRONZE, SILVER PLATED
- 3 INSULATOR: PTFE
- 4 O-RING: SILICONE RUBBER

ELECTRICAL DATA:

- 1 IMPEDANCE: 50 OHMS
- 2 FREQUENCY RANGE: DC-6GHZ
- 3 VSWR: 1.15 MAX. AT DC-4GHZ
- 4 PIM3: -160 DBM MAX. AT 2X20W (936MHZ-1810MHZ)

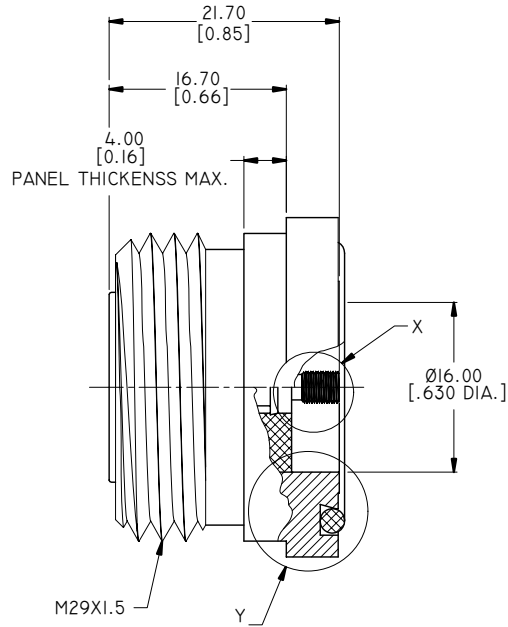
ENVIRONMENTAL DATA:

- 1 TEMPERATURE RANGE: -55°C~+125°C
- 2 2011/65/EU (RoHS): COMPLIANT

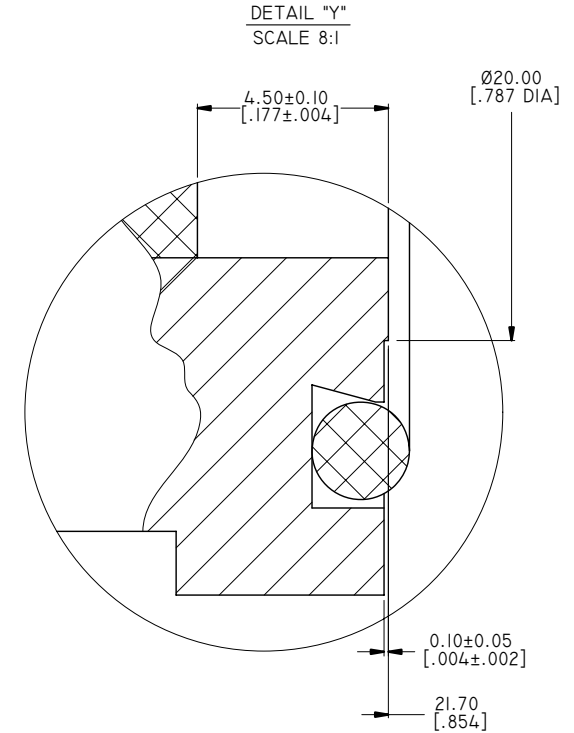
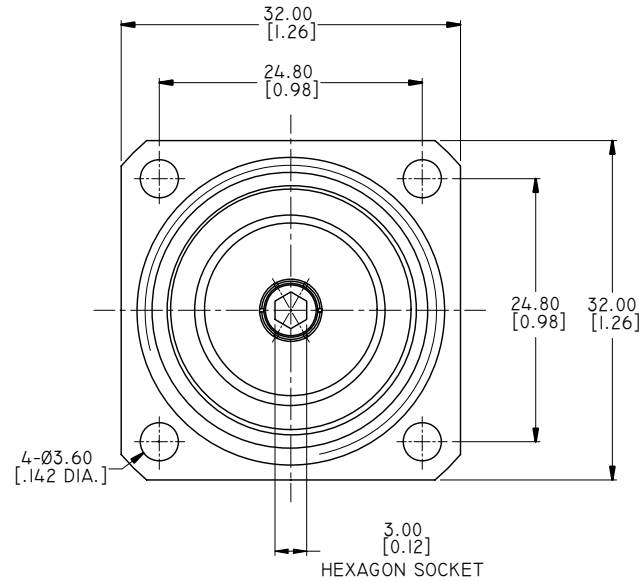
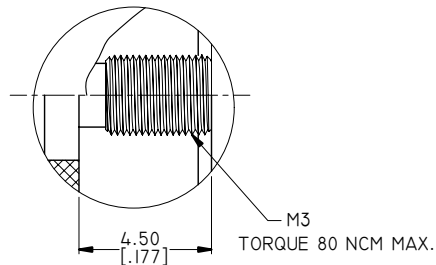
MECHANICAL DATA:

- 1 CONTACT CAPTIVATION TORQUE: 45 NCM MIN.
- 2 INTERFACE: CECC22190, IEC60169-4

REVISIONS			
REV.	DESCRIPTION	DATE	APPROVED
B	24.80 [.976] WAS 24.80 [.98] 16.70 [.657] WAS 16.70 [.66]	11/25/14	J. QU
C	DRAWING FORMAT CHANGED	08/29/17	J. QU



DETAIL "X"
SCALE 5:1



DRAWN	X. B. YANG	DATE	08/29/17
CHECKED	P. CHEN	DATE	08/29/17
APPROVED	J. QU	DATE	08/29/17
UNLESS OTHERWISE SPECIFIED DIMENSIONS ARE IN MILLIMETERS. DIMENSIONS IN [] ARE IN INCHES FOR CUSTOMER REFERENCE ONLY UNLESS OTHERWISE SPECIFIED TOLERANCE ARE:		THESE DRAWINGS AND SPECIFICATIONS ARE THE PROPERTY OF ANOISON ELECTRONICS LTD AND SHOULD NOT BE USED WITHOUT WRITTEN PERMISSION COPYRIGHT © 2017 ANOISON ELECTRONICS LTD	
.XX	±0.13 [.005"]		
.X	±0.20 [.008"]		
X	±0.50 [.019"]		
.X°	±1°		
X°	±2°		



TITLE			
7/16 STRAIGHT FEMALE, FIXED SOCKET 4 HOLE 1.26 SQ. FLANGE MOUNT			
VIEW		PART NO.	
		ANO 5612-3014	
SIZE	SCALE	SHEET	REV.
A3	2:1	1/1	C