

4 3 2 1

MATERIAL & FINISH:

- 1 BODY: BRASS, ALBALOY PLATED
- 2 CENTER CONTACT: BRASS, SILVER PLATED
- 3 INSULATOR: PTFE
- 4 SOLDER FERRULE: BRASS, ALBALOY PLATED

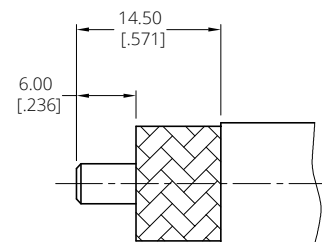
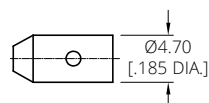
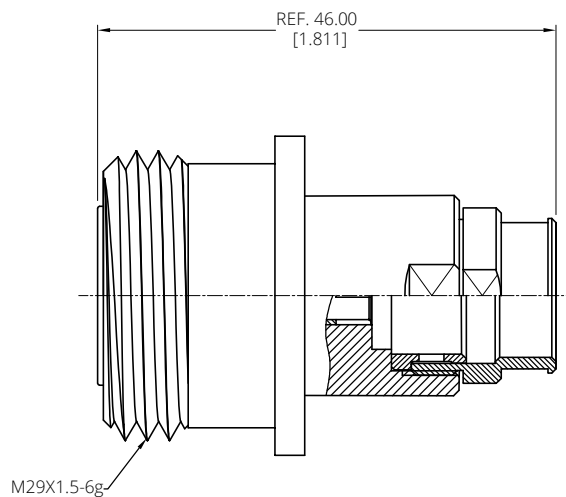
ELECTRICAL DATA:

- 1 IMPEDANCE: 50 Ω
- 2 FREQUENCY RANGE: DC~6 GHz
- 3 VSWR: 1.30 MAX.

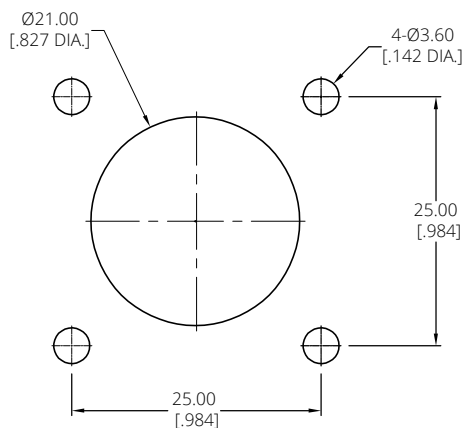
ENVIRONMENTAL DATA:

- 1 TEMPERATURE RANGE: -55°C~+125°C
- 2 2011/65/EU(RoHS) AND 2015/863/(RoHS): COMPLIANT
- 3 1907/2006/EC(REACH): COMPLIANT

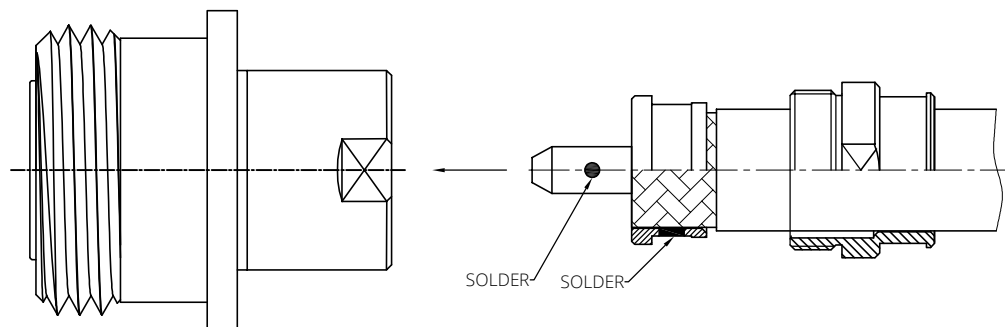
REVISIONS			
REV.	DESCRIPTION	DATE	APPROVED
A	INITIAL RELEASE	03/13/23	J. Q



CABLE STRIPPING DIMENSIONS



RECOMMEND MOUNTING HOLE



DRAWN	W. Y	DATE	03/13/23
CHECKED	X. Y	DATE	03/13/23
APPROVED	J. Q	DATE	03/13/23

UNLESS OTHERWISE SPECIFIED DIMENSIONS ARE IN MILLIMETERS, DIMENSIONS IN [] ARE IN INCHES FOR CUSTOMER REFERENCE ONLY UNLESS OTHERWISE SPECIFIED TOLERANCE ARE:

XX	±0.13 [0.005"]
X	±0.20 [0.008"]
X	±0.50 [0.019"]
X°	±1°
X°	±2°

THESE DRAWINGS AND SPECIFICATIONS ARE THE PROPERTY OF ANOISON ELECTRONICS LTD AND SHOULD NOT BE USED WITHOUT WRITTEN PERMISSION COPYRIGHT © 2023 ANOISON ELECTRONICS LTD



TITLE
7/16 STRAIGHT FEMALE 4 HOLE FLANGE SOLDER FOR LL480STR CABLE

VIEW



PART NO.

ANO 5612-2062

SIZE
A3

SCALE
2:1

SHEET
1/1

REV.
A

4 3 2 1