

**MATERIAL & FINISH:**

- 1 BODY: BRASS, NICKEL PLATED
- 2 GASKET: SILICONE RUBBER

**ENVIRONMENTAL DATA:**

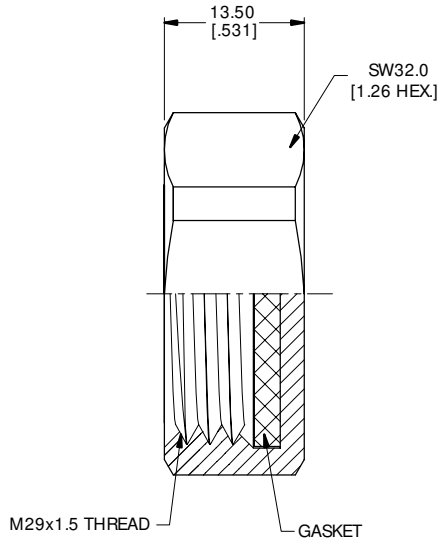
- 1 TEMPERATURE RANGE: -55°C ~ +125°C
- 2 2011/65/EU (RoHS) AND 2015/863/(RoHS): COMPLIANT
- 3 1907/2006/EC (REACH): COMPLIANT
- 4 WATERPROOF GRADE: IP68

**APPLICABLE STANDARDS:**

- 1 7/16 INTERFACE ACCORDING TO IEC61169-4

**REVISIONS**

REV.	DESCRIPTION	DATE	APPROVED
A	INITIAL RELEASE	12/17/20	J QU



DRAWN	X. B. YANG	DATE	12/17/20
CHECKED	W. YANG	DATE	12/17/20
APPROVED	J QU	DATE	12/17/20
UNLESS OTHERWISE SPECIFIED DIMENSIONS ARE IN MILLIMETERS, DIMENSIONS IN [ ] ARE IN INCHES FOR CUSTOMER REFERENCE ONLY UNLESS OTHERWISE SPECIFIED TOLERANCE ARE:		THESE DRAWINGS AND SPECIFICATIONS ARE THE PROPERTY OF ANOISON ELECTRONICS LTD AND SHOULD NOT BE USED WITHOUT WRITTEN PERMISSION COPYRIGHT © 2020 ANOISON ELECTRONICS LTD	
.XX	±0.13 [.005"]		
.X	±0.20 [.008"]		
X	±0.50 [.019"]		
.X°	±1°		
X°	±2°		



TITLE			
7/16 FEMALE CONNECTOR DUST CAP, IP68			
VIEW		PART NO.	
		ANO 5611-6055	
SIZE	SCALE	SHEET	REV.
A3	2:1	1/1	A