

MATERIAL & FINISH:

1. BODY: BRASS, ALBALOY PLATED PLATED
2. CENTER CONTACT: PHOSPHOR BRONZE, SILVER PLATED
3. COUPLING NUT: BRASS, ALBALOY PLATED
4. INSULATOR: PTFE
5. O-RING: SILICONE RUBBER
6. RETAINING RING: PHOSPHOR BRONZE, UNPLATED

MECHANICAL DATA:

1. CONTACT CAPTIVATION TORQUE: 45 NCM MIN.
2. INTERFACE: CECC22190, IEC60169-4

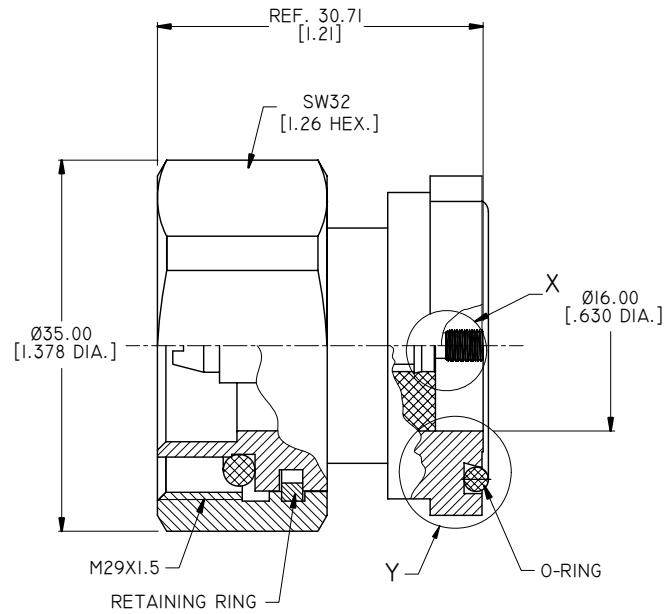
ENVIRONMENTAL DATA:

1. TEMPERATURE RANGE: -55°C~+125°C
2. 2011/65/EU (RoHS): COMPLIANT

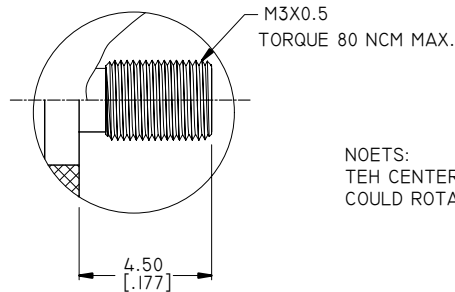
ELECTRICAL DATA:

1. IMPEDANCE: 50 OHMS
2. FREQUENCY RANGE: DC~6GHZ
3. VSWR: 1.15 MAX. AT DC~4GHZ
4. PIM3: -160 DBM MAX. AT 2X20W (936MHZ~1810MHZ)

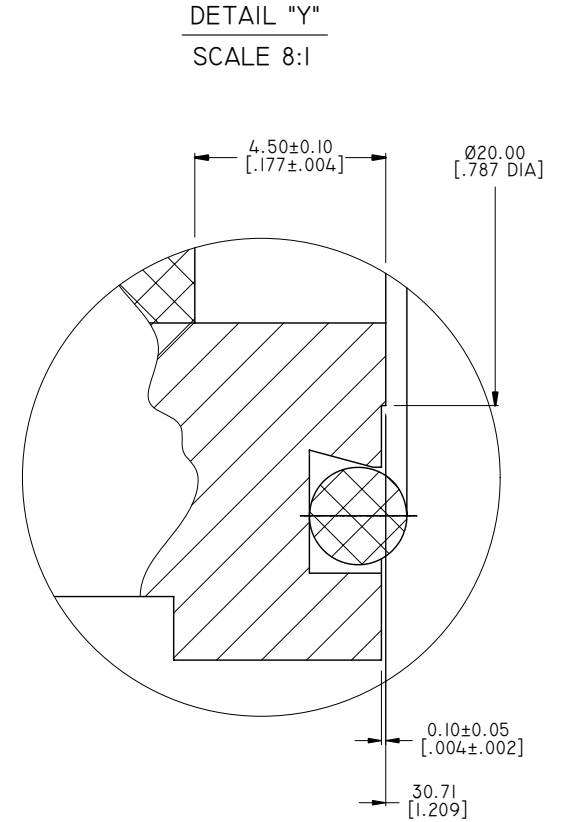
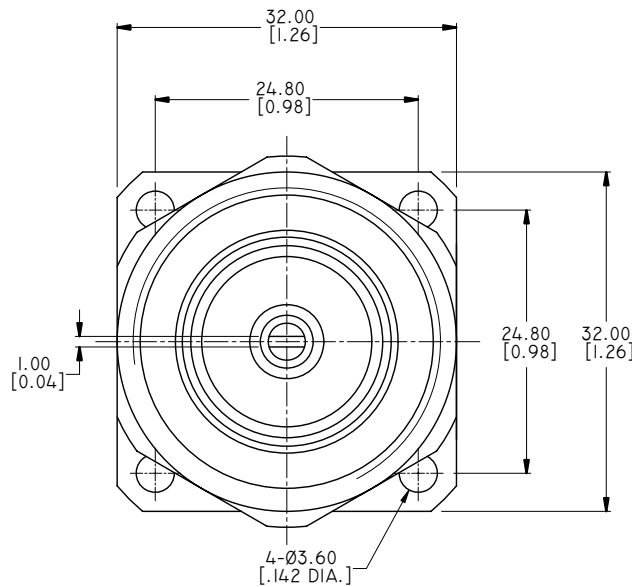
REVISIONS			
REV.	DESCRIPTION	DATE	APPROVED
B	DIAMOND KNURL ADDED ON COUPLING NUT SW32.0 [1.26 HEX.] CHANGED TO SW27.00 [1.063 HEX.]	11/25/14	J. QU
C	DRAWING FORMAT CHANGED	09/11/17	J. QU
D	1. SW32 [1.26 HEX.] WAS SW27 [1.063 HEX.] 2. ITEM RETAINING RING ADDED	04/19/18	J. QU



DETAIL "X"
SCALE 5:1



NOTES:
THE CENTER CONTACT IS NON CAPTIVATED,
COULD ROTATE IN THE TEFLON DIELECTRIC



DETAIL "Y"
SCALE 8:1

DRAWN	X. B. YANG	DATE	04/19/18
CHECKED	W. YANG	DATE	04/19/18
APPROVED	J. QU	DATE	04/19/18
UNLESS OTHERWISE SPECIFIED DIMENSIONS ARE IN MILLIMETERS, DIMENSIONS IN [] ARE IN INCHES FOR CUSTOMER REFERENCE ONLY UNLESS OTHERWISE SPECIFIED TOLERANCE ARE:		THESE DRAWINGS AND SPECIFICATIONS ARE THE PROPERTY OF ANOISON ELECTRONICS LTD AND SHOULD NOT BE USED WITHOUT WRITTEN PERMISSION COPYRIGHT © 2018 ANOISON ELECTRONICS LTD	
.XX	±0.13 [0.005"]		
.X	±0.20 [0.008"]		
X	±0.50 [0.019"]		
.X°	±1°		
X°	±2°		



TITLE			
7/16 STRAIGHT MALE, 4 HOLE 1.26 SQ. FLANGE MOUNT WITH THREAD POST			
VIEW		PART NO.	
		ANO 5611-3037	
SIZE	SCALE	SHEET	REV.
A3	2:1	1/1	D