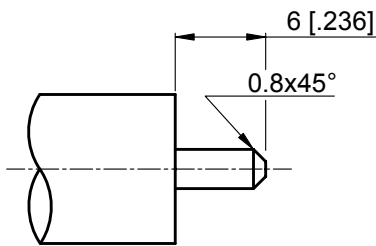
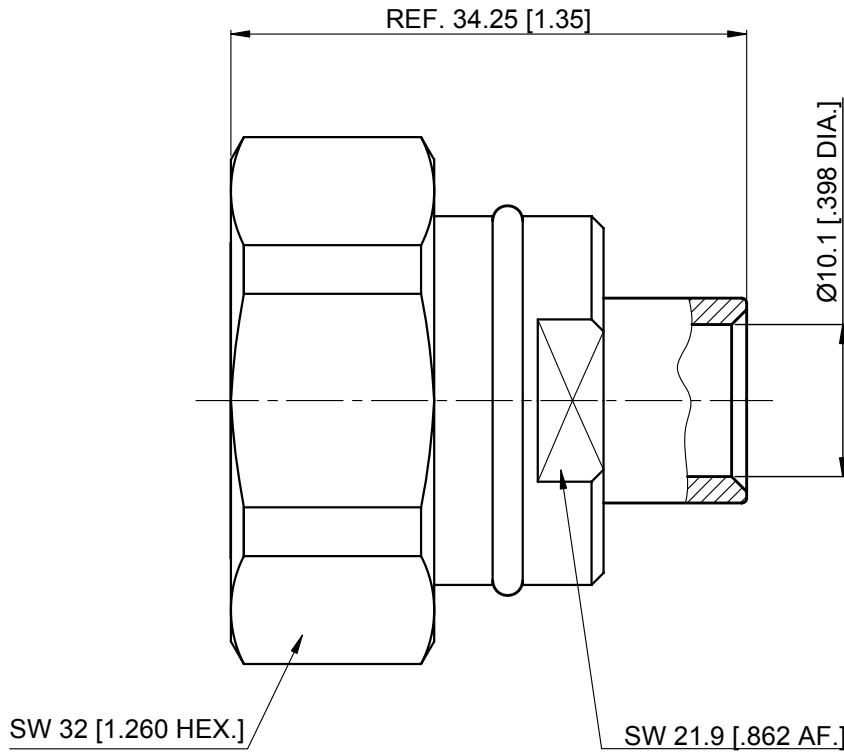


DESCRIPTION	MATERIAL	FINISH
Center Contact	Phosphor Bronze	Silver
Outer Contact	Brass	Albaloy
Coupling Nut	Brass	Albaloy
Gasket	MVQ(Silicone Rubber)	———
Insulator	PTFE	———

TECHNICAL DATA

1. Impedance: 50 Ω
2. Frequency Range: 0~5.50 GHz
3. VSWR: ≤1.15
4. Maximum Power : 850 W at 5.50 GHz



CABLE STRIPPING DIMENSIONS

NOTES:

1. ALL SPECIFICATIONS ARE SUBJECT TO CHANGE WITHOUT NOTICE AT ANY TIME
2. CUSTOMER OUTLINE DRAWING FOR REFERENCE ONLY

Technical Data Changed	——	10/26/12	D
Dimension 18.9 Changed to 21.9	——	12/19/11	C
Technical Date Changed	——	09/10/11	B
Release to Mfg.	——	09/08/11	A
Description	Ecn.No	Date	Rev

Drawn: X. B. Yang 10/26/12
 Checked: L. Yang 10/26/12
 Approved: J. Qu 10/26/12

Title:

7/16 Straight Male Solder
 for UT-390C Cable



Unless otherwise specified dimensions are in millimeters, dimensions in [] are in inches for customer reference only.

Unless Otherwise Specified tolerance are:

- .XX ±0.13 [.005"]
- .X ±0.20 [.008"]
- X ±0.50 [.019"]
- .X° ±1°
- X° ±2°

View:



Part No:

ANO 5611-2016

Size:	Scale:	Sheet:	Rev:
A4	2:1	1/1	D