

MATERIAL & FINISH

- 1 BODY: BRASS, ALBALOY PLATED
- 2 CENTER CONTACT: PHOSPHOR BRONZE, SILVER PLATED
- 3 INSULATOR: PTFE
- 4 COUPLING NUT: BRASS, ALBALOY PLATED
- 5 GASKTE: SILICONE RUBBER

ENVIRONMENTAL DATA:

- 1 TEMPERATURE RANGE: -55°C~+125°C
- 2 2011/65/EU(RoHS) AND 2015/863/(RoHS): COMPLIANT
- 3 1907/2006/EC(REACH): COMPLIANT

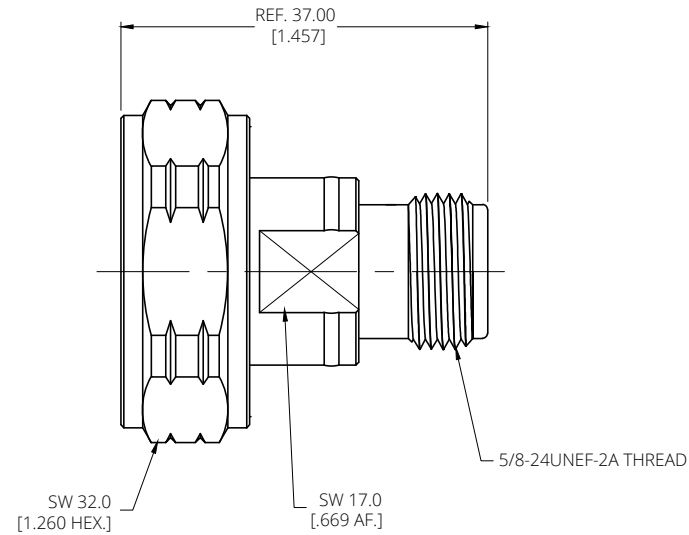
ELECTRICAL DATA:

- 1 IMPEDANCE: 50 Ω
- 2 FREQUENCY RANGE: DC~8 GHz
- 3 VSWR: 1.10 MAX. @ DC~6 GHz  
1.15 MAX. @ 6~8 GHz
- 4 WITHSTANDING VOLTAGE: 2500 VRMS MIN.
- 5 INTERMODULATION(3<sup>RD</sup> ORDER): < -165 DBC(2x43 DBM) @ 0.4~3 GHZ

MECHANICAL DATA:

- 1 NET WEIGHT: 75G

REVISIONS			
REV.	DESCRIPTION	DATE	APPROVED
A	INITIAL RELEASE	09/14/24	J. Q
B	VSWR CHANGED	08/28/15	J. Q
C	OUTLINE DRAWING CHANGED	06/29/16	J. Q
D	INTERMODULATION(3 <sup>RD</sup> ORDER) CHANGED TO < -165 DBC	07/07/21	J. Q
E	FREQUENCY RANGE CHANGED TO DC~6 GHz	08/15/22	J. Q
F	FREQUENCY RANGE CHANGED TO DC~8 GHz, VSWR CHANGED	09/29/24	J. Q



DRAWN	Y. H	DATE	09/29/24			
CHECKED	X. Y	DATE	09/29/24			
APPROVED	J. Q	DATE	09/29/24			
UNLESS OTHERWISE SPECIFIED DIMENSIONS ARE IN MILLIMETERS, DIMENSIONS IN [ ] ARE IN INCHES FOR CUSTOMER REFERENCE ONLY UNLESS OTHERWISE SPECIFIED TOLERANCE ARE:		THESE DRAWINGS AND SPECIFICATIONS ARE THE PROPERTY OF ANOISON ELECTRONICS LTD AND SHOULD NOT BE USED WITHOUT WRITTEN PERMISSION COPYRIGHT © 2024 ANOISON ELECTRONICS LTD		TITLE		
XX ±0.13 [.005"]		X ±0.20 [.008"]		ADAPTER, 7/16 MALE TO N FEMALE		
X ±0.50 [.019"]		X° ±1°		VIEW		
X* ±2°		X*		PART NO. ANO 561-512-1224		
				SIZE A3		
				SCALE 2:1		
				SHEET 1/1		
				REV. F		