

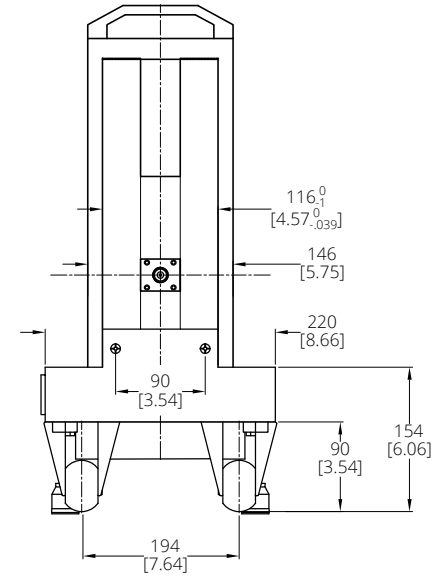
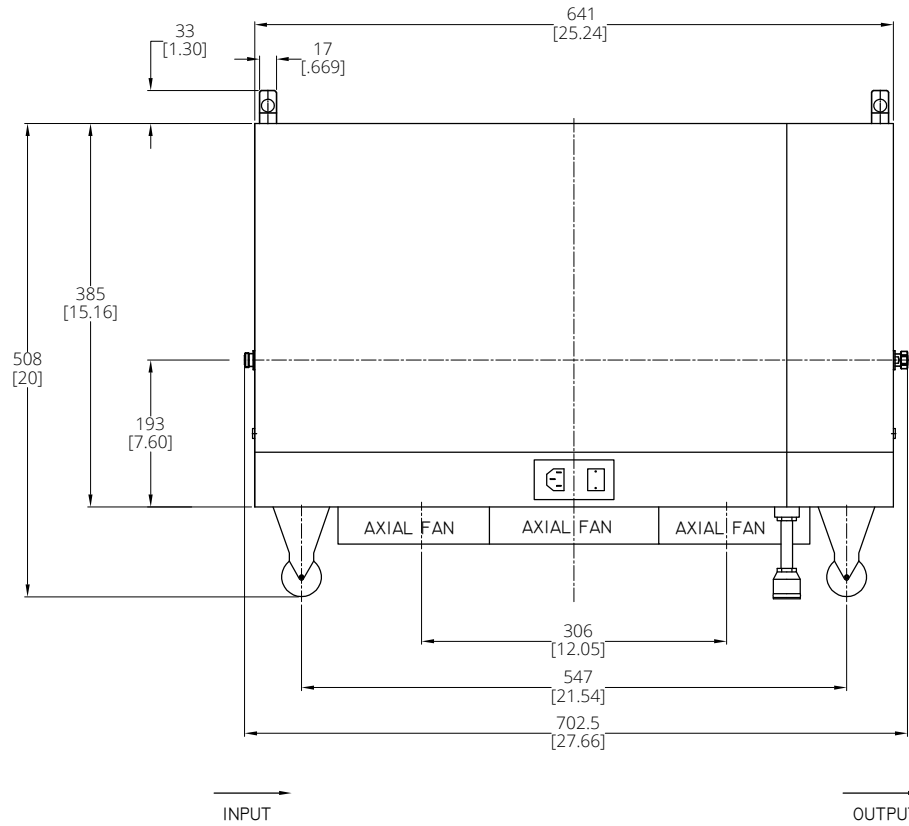
REVISIONS			
REV.	DESCRIPTION	DATE	APPROVED
A	INITIAL RELEASE	06/30/23	J. Q

ENVIRONMENTAL DATA:

- 1 TEMPERATURE RANGE: -55°C~+125°C
- 2 2011/65/EU(RoHS) AND 2015/863/(RoHS): COMPLIANT
- 3 1907/2006/EC(REACH): COMPLIANT
- 4 WEIGHT: 36.5Kg

ELECTRICAL DATA:

- 1 IMPEDANCE: 50 Ω
- 2 FREQUENCY RANGE: DC~1 GHz
- 3 VSWR: 1.30 MAX.
- 4 AVERAGE POWER: MAXIMUM POWER 2000 WATTS AVERAGE TO 25°C AMBIENT TEMPERATURE, DERATED LINEARLY TO 200W @ 125°C
- 5 PEAK POWER: MAXIMUM POWER 10 KW (5μS PULSE WIDTH WITH THE MAXIMUM 10% DUTY CYCLE)



PART NO.	ATTENUATION VALUES & ACCURACY				
	20 dB	30 dB	40 dB	50 dB	60 dB
ANO 56-200001-XX	±2.5 dB	±2.5 dB	±2.5 dB	±2.5 dB	±3.0 dB

NOTE: XX REFER TO ATTENUATION VALUE IN DB

DRAWN	W. Y	DATE	10/27/23
CHECKED	X. Y	DATE	10/27/23
APPROVED	J. Q	DATE	10/27/23
UNLESS OTHERWISE SPECIFIED DIMENSIONS ARE IN MILLIMETERS, DIMENSIONS IN [] ARE IN INCHES FOR CUSTOMER REFERENCE ONLY UNLESS OTHERWISE SPECIFIED TOLERANCE ARE:		THESE DRAWINGS AND SPECIFICATIONS ARE THE PROPERTY OF ANOISON ELECTRONICS LTD AND SHOULD NOT BE USED WITHOUT WRITTEN PERMISSION COPYRIGHT © 2023 ANOISON ELECTRONICS LTD	
XX	±0.13 [0.005"]		
X	±0.20 [0.008"]		
X	±0.50 [0.019"]		
X*	±1°		
X*	±2°		



TITLE			
ATTENUATOR, 7/16 MALE TO FEMALE 2000 WATTS UNI DIRECTIONAL, DC~1GHz			
VIEW	PART NO.		
	ANO 56-200001-XX		
SIZE	SCALE	SHEET	REV.
A3	1:2	1/1	A