

MATERIAL

1. BODY: BRASS
2. CENTER CONTACT: PHOSPHOR BRONZE
3. INSULATOR: PTFE

FINISH:

1. BODY: ALBALOY
2. CENTER CONTACT: GOLD

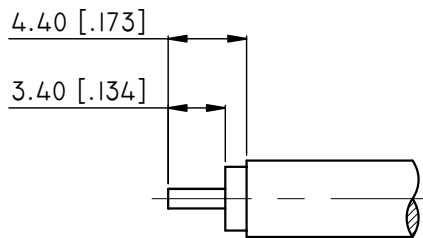
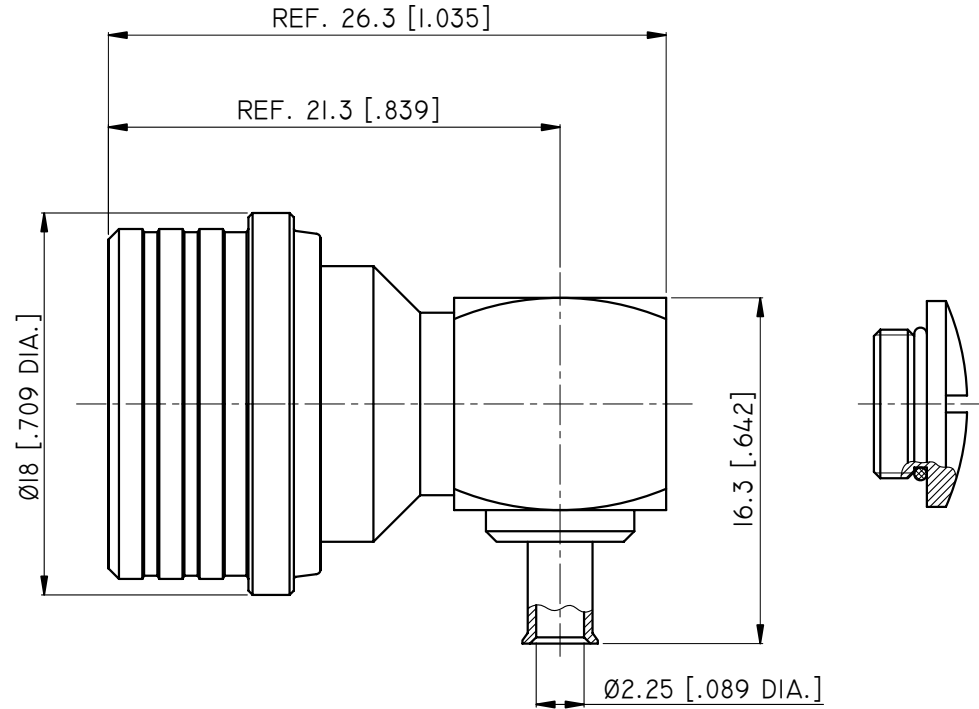
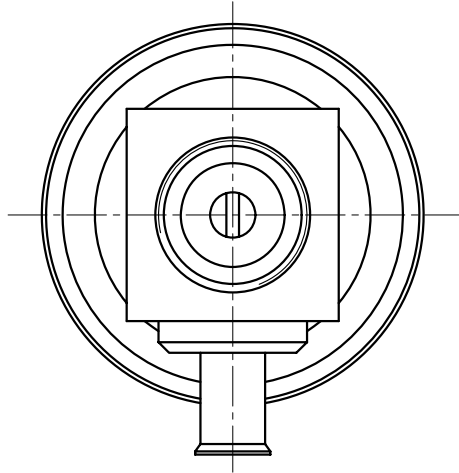
ENVIRONMENTAL DATA:

1. TEMPERATURE RANGE: -55°C~+125°C
2. 2002/95/EC (RoHS): COMPLIANT
3. IP RATING (INTERFACE, MATED) IP68



ELECTRICAL SPECIFICATIONS:

1. IMPEDANCE: 50 Ω
2. FREQUENCY RANGE: DC~6GHZ
3. VSWR: ≤1.35

REVISIONS			
REV.	DESCRIPTION	DATE	APPROVED
A	RELEASE TO MFG.	08/06/13	J. QU
B	OUTLINE DRAWING CHANGED	10/16/13	J. QU



CABLE STRIPPING DIMENSIONS

DRAWN	H. ZHANG	DATE	10/16/13						
CHECKED	X. B. YANG	DATE	10/16/13						
APPROVED	J. QU	DATE	10/16/13						
<small>UNLESS OTHERWISE SPECIFIED DIMENSIONS ARE IN MILLIMETERS, DIMENSIONS IN [] ARE IN INCHES FOR CUSTOMER REFERENCE ONLY UNLESS OTHERWISE SPECIFIED TOLERANCE ARE:</small>				<small>THESE DRAWINGS AND SPECIFICATIONS ARE THE PROPERTY OF ANOISON ELECTRONICS LTD AND SHOULD NOT BE USED WITHOUT WRITTEN PERMISSION COPYRIGHT © 2013 ANOISON ELECTRONICS LTD</small>					
.XX	±0.13 [.005"]							TITLE	
.X	±0.20 [.008"]			HPQN RIGHT ANGLE MALE SOLDER FOR SR086		ANO 5321-2049			
X	±0.50 [.019"]			VIEW		SIZE	SCALE	SHEET	REV.
.X°	±1°					A3	4:1	1/1	B
X°	±2°								