

MATERIAL & FINISH

1. BODY: BRASS, ALBALOY PLATED
2. CENTER CONTACT: BRASS, GOLD PLATED
3. INSULATOR: PTFE
4. UNLOCK SLEEVE: BRASS, NICKEL PLATED

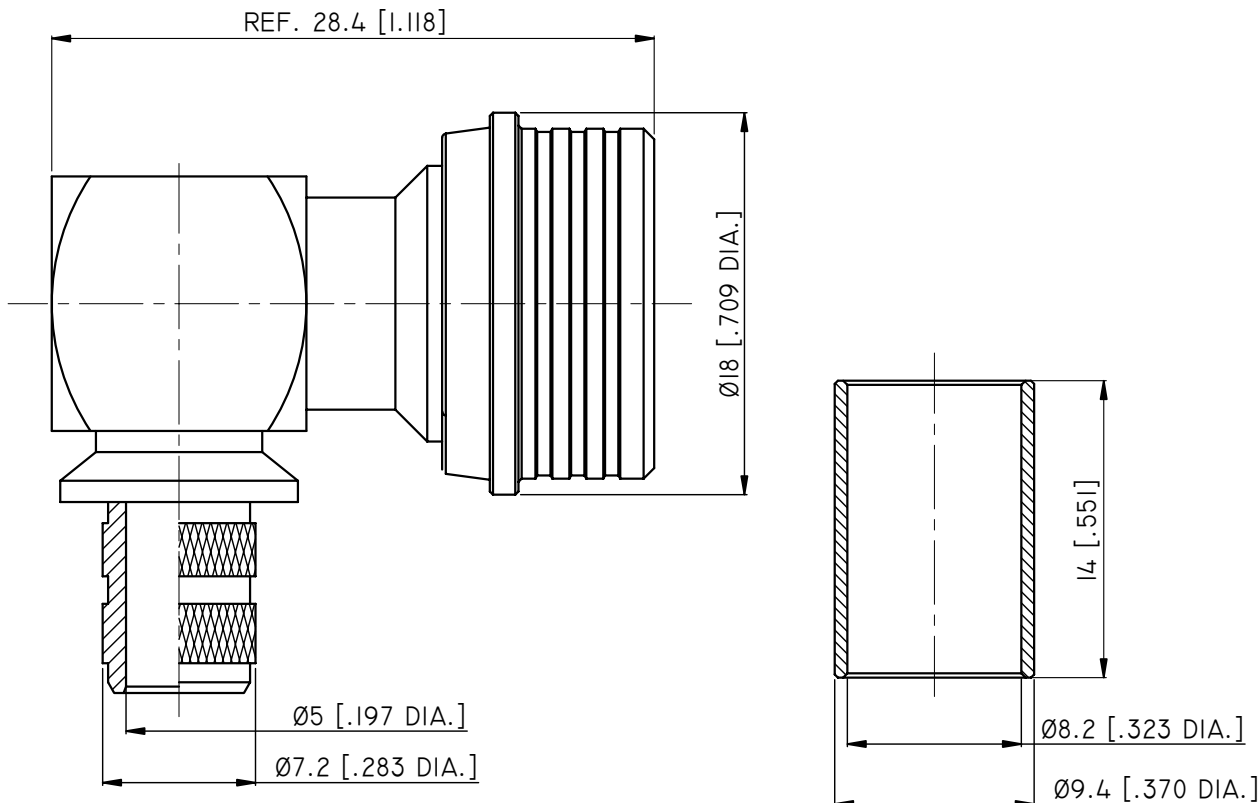
ENVIRONMENTAL DATA:

1. TEMPERATURE RANGE: -55°C~+125°C
2. 2002/95/EC (RoHS): COMPLIANT

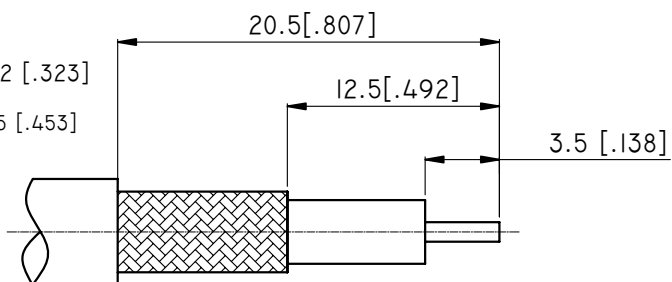
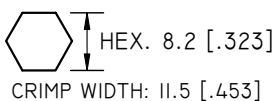
ELECTRICAL SPECIFICATIONS:

1. IMPEDANCE: 50 Ω
2. FREQUENCY RANGE: DC~6GHZ
3. VSWR: ≤1.20

REVISIONS			
REV.	DESCRIPTION	DATE	APPROVED
A	RELEASE TO MFG.	04/17/14	J. QU



HEX. CRIMP TOOL



CABLE STRIPPING DIMENSIONS

DRAWN	L. YANG	DATE	04/17/14				
CHECKED	X. B. YANG	DATE	04/17/14				
APPROVED	J. QU	DATE	04/17/14				
UNLESS OTHERWISE SPECIFIED DIMENSIONS ARE IN MILLIMETERS, DIMENSIONS IN [] ARE IN INCHES FOR CUSTOMER REFERENCE ONLY UNLESS OTHERWISE SPECIFIED TOLERANCE ARE: .XX ±0.13 [.005"] .X ±0.20 [.008"] X ±0.50 [.019"] .X° ±1° X° ±2°				THESE DRAWINGS AND SPECIFICATIONS ARE THE PROPERTY OF ANOISON ELECTRONICS LTD AND SHOULD NOT BE USED WITHOUT WRITTEN PERMISSION COPYRIGHT © 2014 ANOISON ELECTRONICS LTD			
				TITLE			
				HPQN RIGHT ANGLE MALE CRIMP FOR LMR300			
				VIEW		PART NO.	
						ANO 5321-2022	
		SIZE	SCALE	SHEET	REV.		
		A3	4:1	1/1	A		