

MATERIAL & FINISH:

1. BODY: BRASS, ALBALOY PLATED
2. CENTER CONTACT: BERYLLIUM COPPER ALLOY, SILVER PLATED
3. INSULATOR: PEI

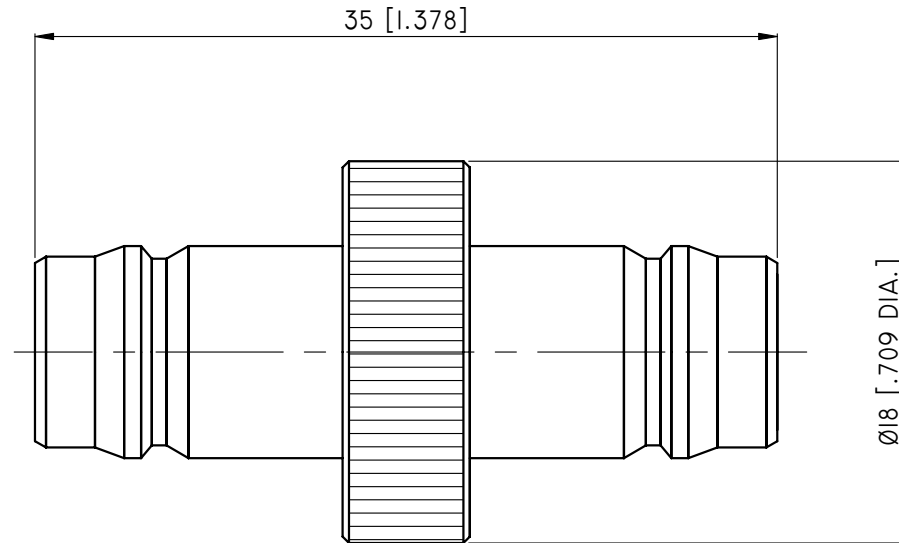
ENVIRONMENTAL DATA:

1. TEMPERATURE RANGE: -55 °C ~ +125 °C
2. 2011/65/EU (RoHS): COMPLIANT

ELECTRICAL SPECIFICATIONS:

1. IMPEDANCE: 50 Ω
2. FREQUENCY RANGE: DC~18 GHZ
3. VSWR: 1.20 MAX. AT DC~6 GHZ

REVISIONS			
REV.	DESCRIPTION	DATE	APPROVED
A	INITIAL RELEASE	11/23/13	J. QU



DRAWN X. B. YANG	DATE 11/23/13		
CHECKED L. YANG	DATE 11/23/13		
APPROVED J. QU	DATE 11/23/13		
<small>UNLESS OTHERWISE SPECIFIED DIMENSIONS ARE IN MILLIMETERS, DIMENSIONS IN [] ARE IN INCHES FOR CUSTOMER REFERENCE ONLY UNLESS OTHERWISE SPECIFIED TOLERANCE ARE:</small>		<small>THESE DRAWINGS AND SPECIFICATIONS ARE THE PROPERTY OF ANOISON ELECTRONICS LTD AND SHOULD NOT BE USED WITHOUT WRITTEN PERMISSION COPYRIGHT © 2013 ANOISON ELECTRONICS LTD</small>	
<small>.XX ±0.13 [.005"] .X ±0.20 [.008"] X ±0.50 [.019"] .X° ±1° X° ±2°</small>		TITLE ADAPTER, HPQN FEMALE TO HPQN FEMALE	
VIEW 		PART NO. ANO 532-532-1038	
SIZE A3		SCALE 4:1	
SHEET 1/1		REV. A	