

4

3

2

1

MATERIAL & FINISH

- 1 BODY: BRASS, ALBALOY PLATED
- 2 CENTER CONTACT: BERYLLIUM COPPER ALLOY, SEE TABLE
- 3 INSULATOR: PEI
- 4 COUPLING NUT: BRASS, ALBALOY PLATED
- 5 GASKTE: MVQ(SILICONE RUBBER)

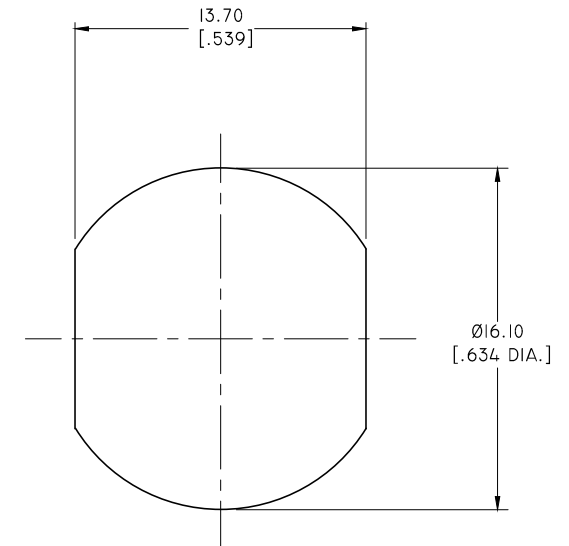
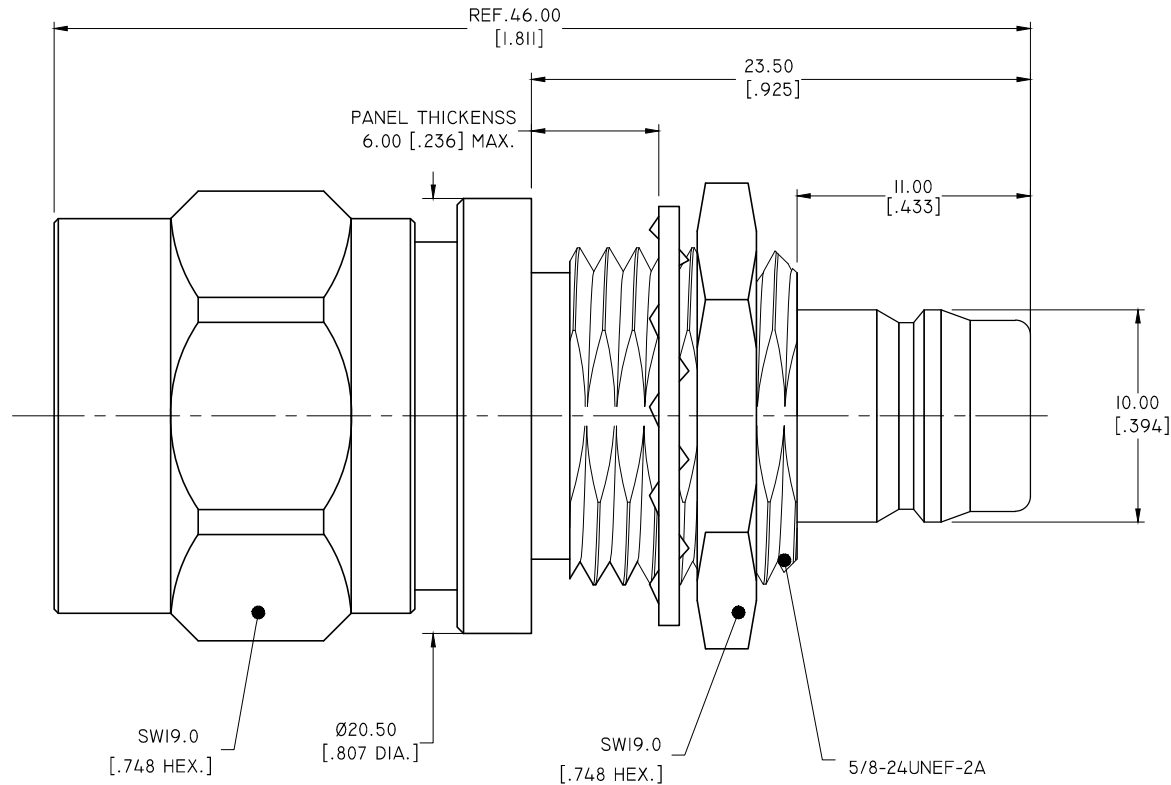
ELECTRICAL DATA:

- 1 IMPEDANCE: 50 OHMS
- 2 FREQUENCY RANGE: DC-18 GHZ
- 3 VSWR: 1.20 MAX. AT DC-6GHZ

ENVIRONMENTAL DATA:

- 1 TEMPERATURE RANGE: -55°C~+125°C
- 2 2011/65/EU (RoHS): COMPLIANT

REVISIONS			
REV.	DESCRIPTION	DATE	APPROVED
A	INITIAL RELEASE	05/23/17	J. QU



RECOMMENDED MOUNTING HOLE

PART NUMBER	PART	FINISH
ANO 532-511-I405	CENTER CONTACT	GOLD
ANO 532-511-I405-I		SILVER

DRAWN	W. YANG	DATE	05/23/17
CHECKED	L. YANG	DATE	05/23/17
APPROVED	J. QU	DATE	05/23/17
UNLESS OTHERWISE SPECIFIED DIMENSIONS ARE IN MILLIMETERS, DIMENSIONS IN [] ARE IN INCHES FOR CUSTOMER REFERENCE ONLY UNLESS OTHERWISE SPECIFIED TOLERANCE ARE:		THESE DRAWINGS AND SPECIFICATIONS ARE THE PROPERTY OF ANOISON ELECTRONICS LTD AND SHOULD NOT BE USED WITHOUT WRITTEN PERMISSION COPYRIGHT © 2017 ANOISON ELECTRONICS LTD	
.XX	+0.13 [.005"]		
.X	+0.20 [.008"]		
X	+0.50 [.019"]		
.X°	±1°		
X°	±2°		



TITLE
ADAPTER, HPQN FEMALE BULKHEAD TO N MALE

VIEW	PART NO. ANO 532-511-I405		
	SIZE A3	SCALE 4:1	SHEET 1/1
			REV. A