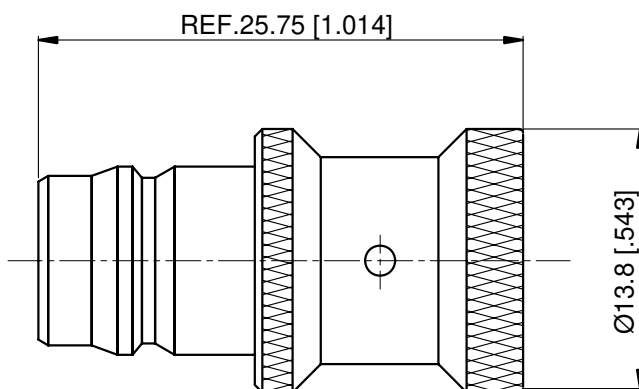



DESCRIPTION	MATERIAL	FINISH
Body	Brass	Albaloy
Gasket	MVQ	—



NOTES:

1. ALL SPECIFICATIONS ARE SUBJECT TO CHANGE WITHOUT NOTICE AT ANY TIME
2. CUSTOMER OUTLINE DRAWING FOR REFERENCE ONLY

				Drawn: X. B. Yang 04/18/13	Title: HPQN Cap, Female without Chain			
				Checked: L. Yang 04/18/13				
Description	Ecn.No	Date	Rev	Approved: J. Qu 04/18/13				
				Unless otherwise specified dimensions are in millimeters, dimensions in [] are in inches for customer reference only. Unless Otherwise Specified tolerance are: .XX ±0.13 [.005"] .X ±0.20 [.008"] X ±0.50 [.019"] .X° ±1° X° ±2°				
				View:	Part No: ANO 5312-6038			Size: A4