

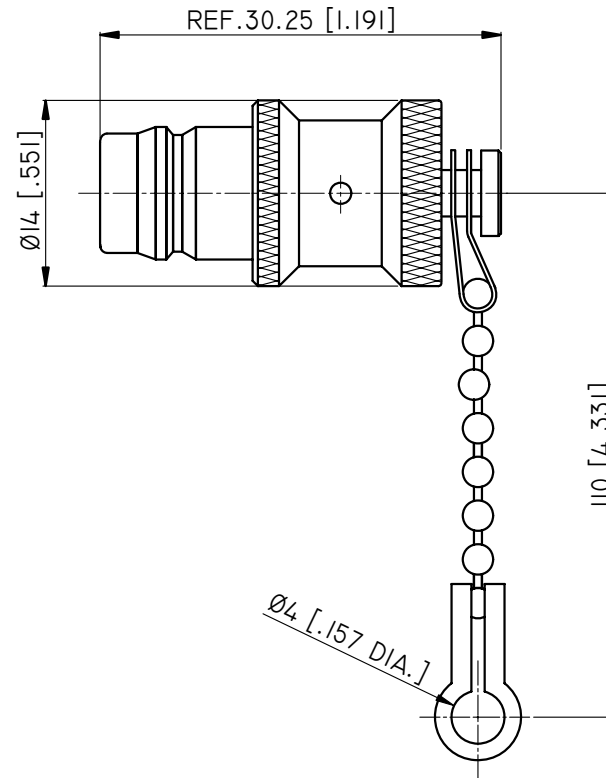
MATERIAL & FINISH:



1. BODY: BRASS, ALBALOY PLATED
2. RIVET: BRASS, ALBALOY PLATED
3. GASKET: MVQ

ENVIRONMENTAL DATA:

1. TEMPERATURE RANGE: -55°C~+125°C
2. 2011/65/EU (RoHS): COMPLIANT

REVISIONS			
REV.	DESCRIPTION	DATE	APPROVED
A	INITIAL RELEASE	04/18/13	J. QU



DRAWN	L. YANG	DATE	04/18/13				
CHECKED	X. B. YANG	DATE	04/18/13				
APPROVED	J. QU	DATE	04/18/13				
UNLESS OTHERWISE SPECIFIED DIMENSIONS ARE IN MILLINETERS, DIMENSIONS IN [] ARE IN INCHES FOR CUSTOMER REFERENCE ONLY UNLESS OTHERWISE SPECIFIED TOLERANCE ARE: .XX ±0.13 [.005"] .X ±0.20 [.008"] X ±0.50 [.019"] .X° ±1° X° ±2°				THESE DRAWINGS AND SPECIFICATIONS ARE THE PROPERTY OF ANOISON ELECTRONICS LTD AND SHOULD NOT BE USED WITHOUT WRITTEN PERMISSION COPYRIGHT © 2013 ANOISON ELECTRONICS LTD			
				TITLE			
				HPQN CAP, FEMALE WITH CHAIN			
				VIEW		PART NO.	
						ANO 5312-6037	
		SIZE	SCALE	SHEET	REV.		
		A3	2.5:1	1/1	A		