

4

3

2

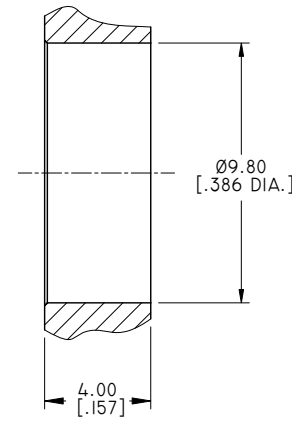
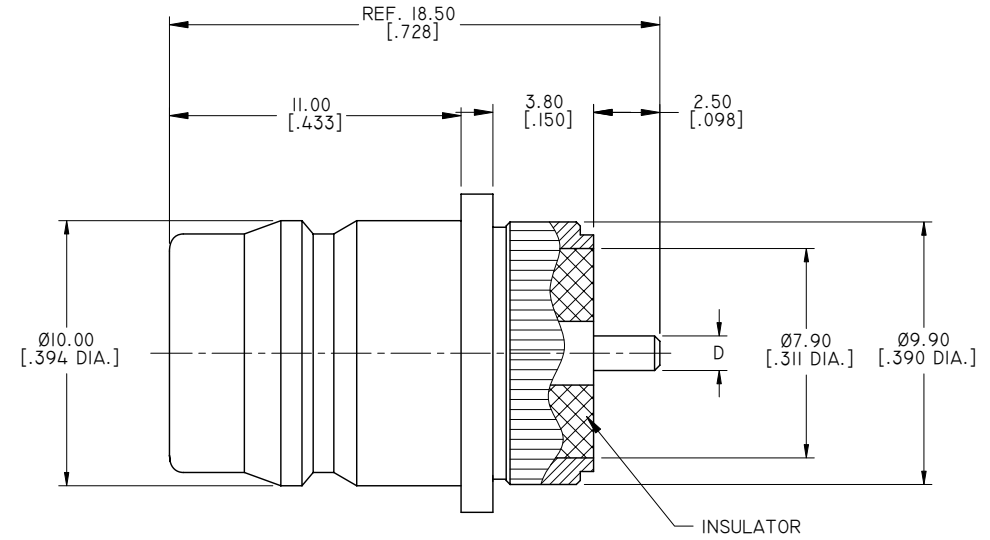
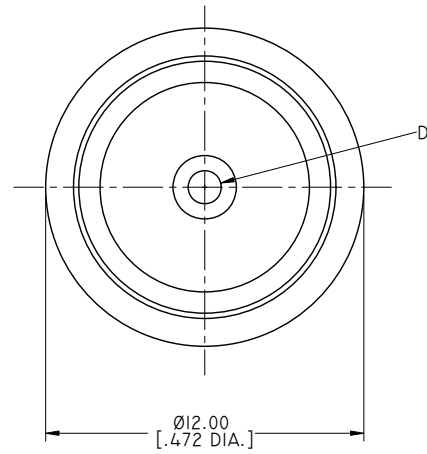
1

1.0 MATERIAL & FINISH:
 1.1 BODY: BRASS, ALBALOY PLATED
 1.2 CENTER CONTACT: PHOSPHOR BRONZE, GOLD PLATED
 1.3 INSULATOR: PTFE

2.0 ENVIRONMENTAL DATA:
 2.1 TEMPERATURE RANGE: -55°C~+125°C
 2.2 2011/65/EU (RoHS): COMPLIANT

3.0 ELECTRICAL SPECIFICATIONS:
 3.1 IMPEDANCE: 50 Ω
 3.2 FREQUENCY RANGE: DC~11GHZ
 3.3 VSWR: 1.30 MAX

REVISIONS			
REV.	DESCRIPTION	DATE	APPROVED
C	ADDED ANO 5312-5001-1	06/16/16	J. QU
D	ADDED ANO 5312-5001-2	06/17/16	J. QU
E	ADDED VIEW	06/18/16	J. QU
F	ADDED VIEW	06/24/16	J. QU



RECOMMENDED THE HOLE PANEL DIM

PART NO.	D
ANO 5312-5001	Ø2.1 [.083 DIA.]
ANO 5312-5001-1	Ø1.27 [.050 DIA.]
ANO 5312-5001-2	Ø0.51 [.020 DIA.]

DRAWN	L. YANG	DATE	06/24/16
CHECKED	X. B. YANG	DATE	06/24/16
APPROVED	J. QU	DATE	06/24/16
UNLESS OTHERWISE SPECIFIED DIMENSIONS ARE IN MILLIMETERS, DIMENSIONS IN [] ARE IN INCHES FOR CUSTOMER REFERENCE ONLY UNLESS OTHERWISE SPECIFIED TOLERANCE ARE:		THESE DRAWINGS AND SPECIFICATIONS ARE THE PROPERTY OF ANOISON ELECTRONICS LTD AND SHOULD NOT BE USED WITHOUT WRITTEN PERMISSION COPYRIGHT © 2016 ANOISON ELECTRONICS LTD	
.XX	±0.13 [.005"]		
.X	±0.20 [.008"]		
X	±0.50 [.019"]		
.X°	±1°		
X°	±2°		



TITLE			
HPQN STRAIGHT FEMALE PANEL MOUNTED PRESS FIT			
VIEW	PART NO. ANO 5312-5001		
	SIZE	SCALE	SHEET
	A3	5:1	1/1
	REV.	F	

4

3

2

1