

1.0 MATERIAL & FINISH

- 1.1. BODY: BRASS, ALBALOY PLATED
- 1.2. CENTER CONTACT: PHOSPHOR BRONZE, SILVER PLATED
- 1.3. INSULATOR: PTFE

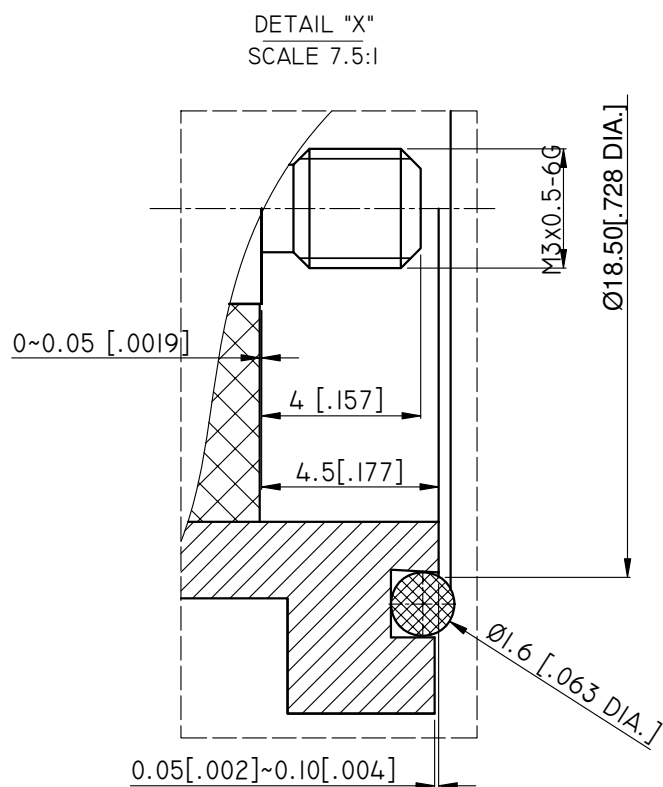
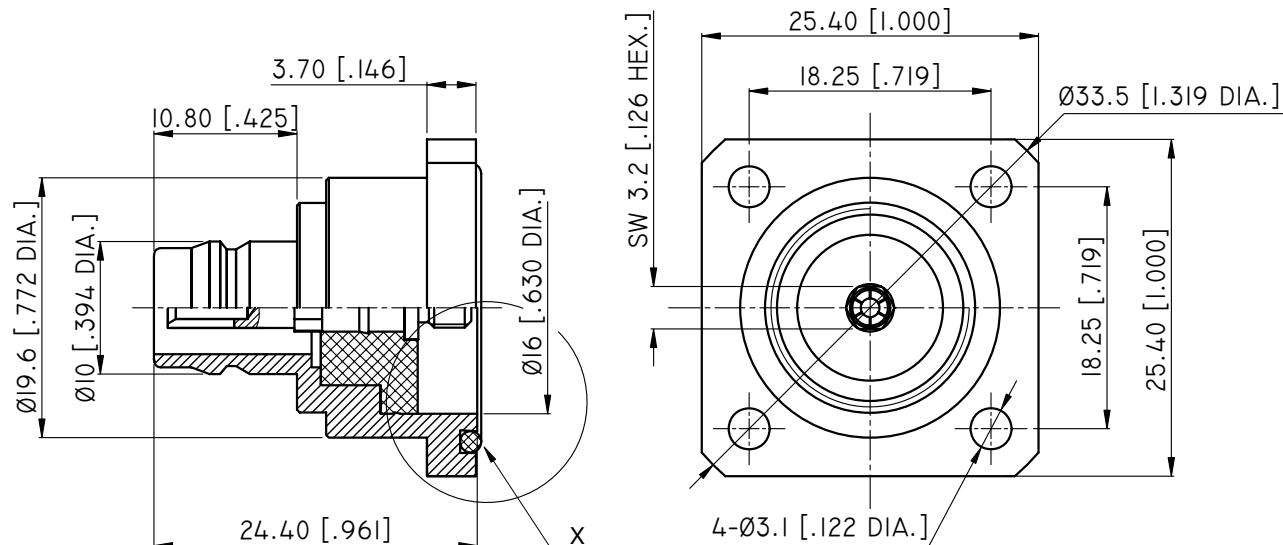
2.0 ENVIRONMENTAL DATA:

- 2.1 TEMPERATURE RANGE: -55°C~+125°C
- 2.2 2011/65/EU (RoHS): COMPLIANT

3.0 ELECTRICAL SPECIFICATIONS:

- 3.1 IMPEDANCE: 50 Ω
- 3.2 FREQUENCY RANGE: DC~11GHZ
- 3.3 VSWR: ≤1.20 AT DC~6GHZ

REVISIONS			
REV.	DESCRIPTION	DATE	APPROVED
A	INITIAL RELEASE	02/20/13	J. QU
B	OUTLINE DRAWING CHANGED	03/28/13	J. QU



DRAWN	L. YANG	DATE	03/28/13				
CHECKED	X. B. YANG	DATE	03/28/13				
APPROVED	J. QU	DATE	03/28/13				
UNLESS OTHERWISE SPECIFIED DIMENSIONS ARE IN MILLIMETERS, DIMENSIONS IN [] ARE IN INCHES FOR CUSTOMER REFERENCE ONLY UNLESS OTHERWISE SPECIFIED TOLERANCE ARE: .XX ±0.13 [.005"] .X ±0.20 [.008"] X ±0.50 [.019"] .X° ±1° X° ±2°				THESE DRAWINGS AND SPECIFICATIONS ARE THE PROPERTY OF ANOISON ELECTRONICS LTD AND SHOULD NOT BE USED WITHOUT WRITTEN PERMISSION COPYRIGHT © 2013 ANOISON ELECTRONICS LTD			
DRAWN				TITLE			
CHECKED				HPQN STRAIGHT FEMALE 4 HOLE FLANGE RECEPTACLE, THREADED POST			
APPROVED				VIEW		PART NO.	
						ANO 5312-3032	
SIZE		SCALE		SHEET		REV.	
A3		2.5:1		1/1		B	