

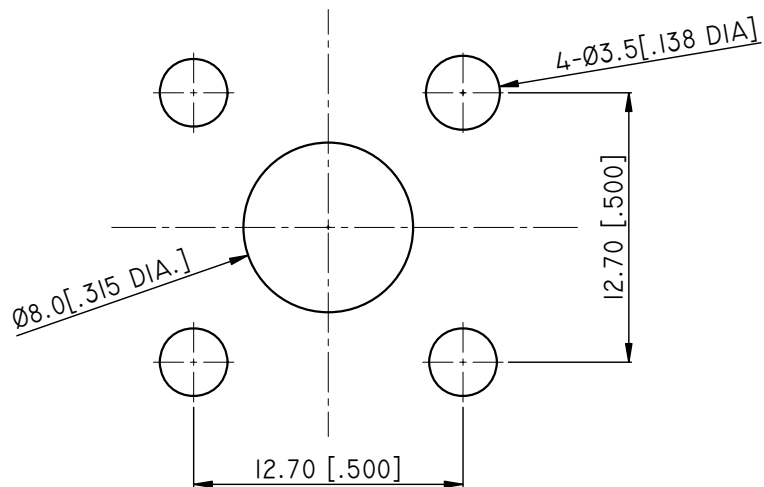
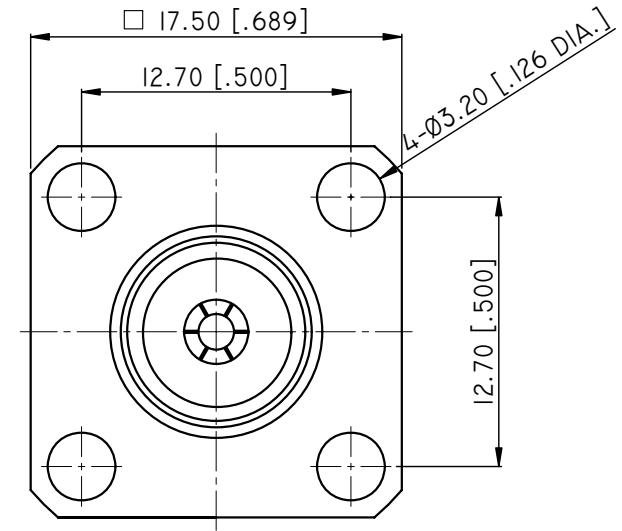
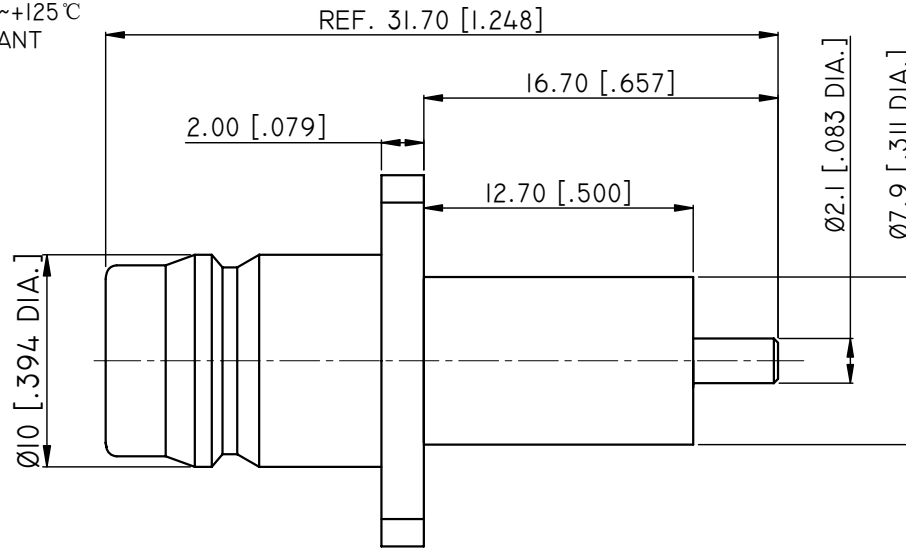
1.0 MATERIAL
 1.1 BODY: BRASS
 1.2 CENTER CONTACT: PHOSPHOR BRONZE
 1.3 INSULATOR: PTFE

4.0 ELECTRICAL SPECIFICATIONS:
 4.1 IMPEDANCE: 50 Ω
 4.2 FREQUENCY RANGE: DC~11GHZ
 4.3 VSWR: ≤1.30

2.0 FINISH:
 2.1 BODY: ALBALOY
 2.2 CENTER CONTACT: GOLD

3.0 ENVIRONMENTAL DATA:
 3.1 TEMPERATURE RANGE: -55°C~+125°C
 3.2 2002/95/EC (RoHS): COMPLIANT

REVISIONS			
REV.	DESCRIPTION	DATE	APPROVED
A	INITIAL RELEASE	08/07/13	J. QU



RECOMMENDED MOUNTING HOLE

DRAWN	H. ZHANG	DATE	08/30/13
CHECKED	X. B. YANG	DATE	08/30/13
APPROVED	J. QU	DATE	08/30/13
UNLESS OTHERWISE SPECIFIED DIMENSIONS ARE IN MILLIMETERS, DIMENSIONS IN [] ARE IN INCHES FOR CUSTOMER REFERENCE ONLY UNLESS OTHERWISE SPECIFIED TOLERANCE ARE:		THESE DRAWINGS AND SPECIFICATIONS ARE THE PROPERTY OF ANOISON ELECTRONICS LTD AND SHOULD NOT BE USED WITHOUT WRITTEN PERMISSION COPYRIGHT © 2013 ANOISON ELECTRONICS LTD	
.XX	±0.13 [.005"]		
.X	±0.20 [.008"]		
X	±0.50 [.019"]		
.X°	±1°		
X°	±2°		

TITLE HPQN 4 HOLE SQUARE FLANGE FEMALE RECEPTACLE-EXTENDED DIELECTRIC			
VIEW 		PART NO. ANO 5312-3031	
SIZE A3	SCALE 4:1	SHEET 1/1	REV. A