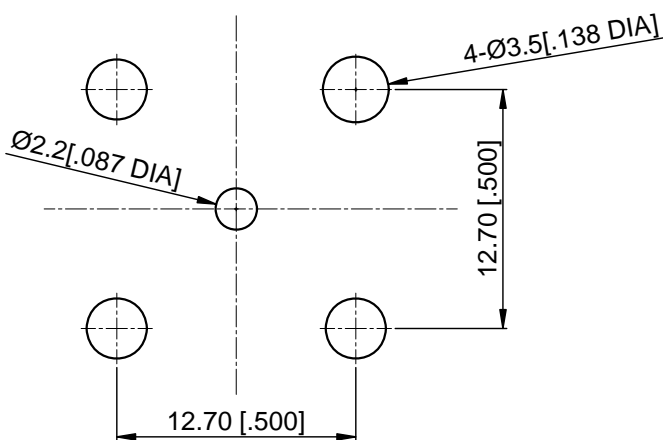
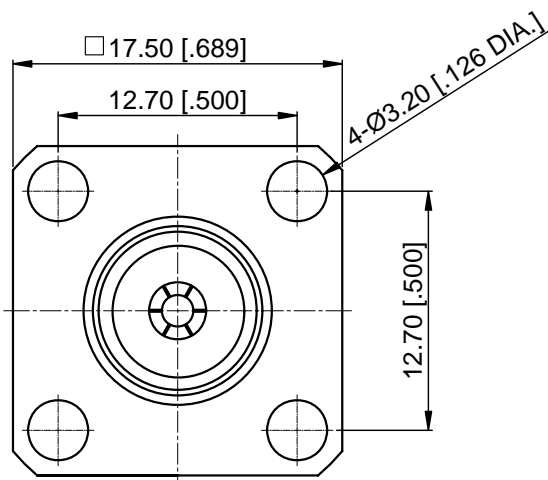
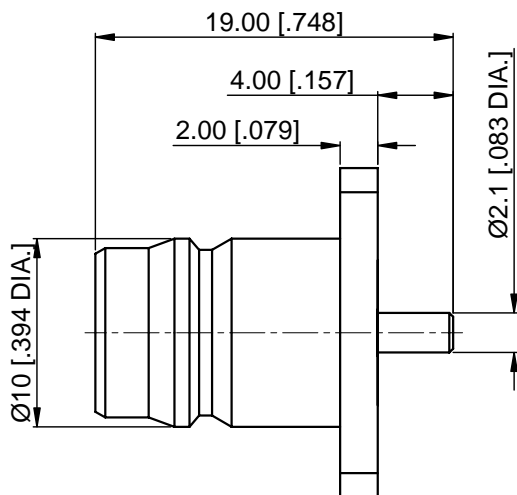
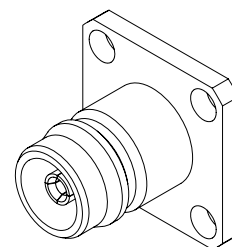


DESCRIPTION	MATERIAL	FINISH
Center Contact	Phosphor bronze	Gold
Body	Brass	Albaloy
Insulator	PTFE	—



Recommended Mounting Hole



NOTES:

1. ALL SPECIFICATIONS ARE SUBJECT TO CHANGE WITHOUT NOTICE AT ANY TIME
2. CUSTOMER OUTLINE DRAWING FOR REFERENCE ONLY

Paint Changed	—	07/09/12	B	Drawn: H. Zhang 07/09/12
Release to Mfg.	—	03/04/08	A	Checked: L. Yang 07/09/12
Description	Ecn.No	Date	Rev	Approved: X.B. Yang 07/09/12

Title:

HPQN Female Receptacle, 4 Hole Square Flange



Unless otherwise specified dimensions are in millimeters, dimensions in [] are in inches for customer reference only.

Unless Otherwise Specified tolerance are:

.XX	±0.13 [.005"]
.X	±0.20 [.008"]
X	±0.50 [.019"]
.X°	±1°
X°	±2°

View:



Part No:

ANO 5312-3012

Size:	Scale:	Sheet:	Rev:
A4	2.5:1	1/1	B