

REVISIONS			
REV.	DESCRIPTION	DATE	APPROVED
A	INITIAL RELEASE	07/04/13	J. QU
B	OUTLINE DRAWING CHANGED	02/07/14	J. QU

**MATERIAL & FINISH:**

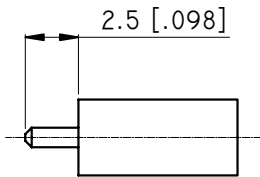
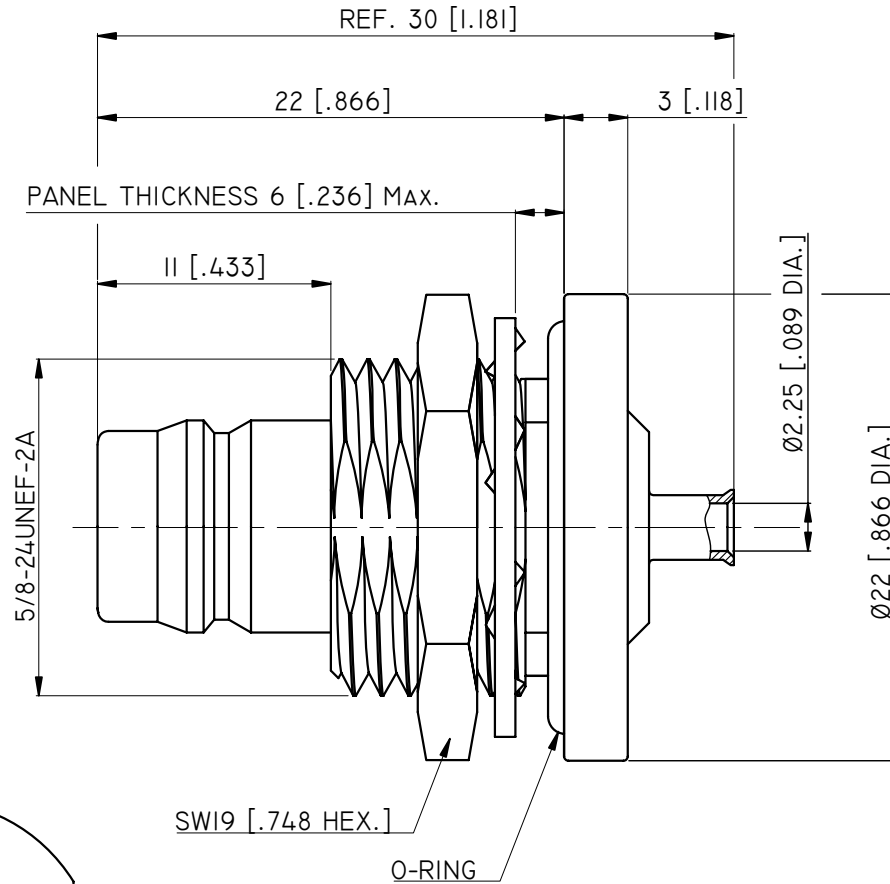
1. BODY: BRASS, ALBALOY PLATED
2. CENTER CONTACT: PHOSPHOR BRONZE, GOLD PLATED
3. INSULATOR: PTFE
4. FASTENING NUT: BRASS, NICKEL PLATED
5. WASHER: BRASS, PHOSPHOR BRONZE, NICKEL PLATED

**ENVIRONMENTAL DATA:**

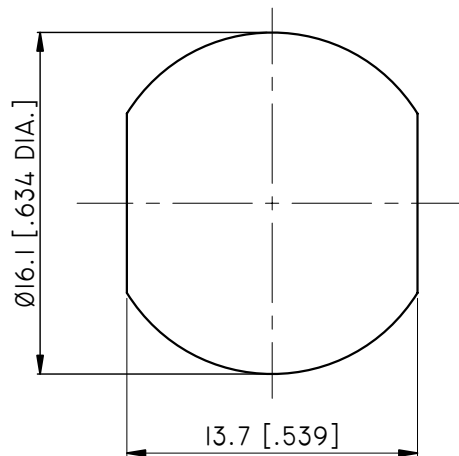
1. TEMPERATURE RANGE: -55°C~+85°C
2. 2011/65/EU (RoHS): COMPLIANT

**ELECTRICAL SPECIFICATIONS:**

1. IMPEDANCE: 50 Ω
2. FREQUENCY RANGE: DC~6GHZ
3. VSWR: 1.30 MAX.



CABLE STRIPPING DIMENSIONS



RECOMMENDED MOUNTING HOLE

DRAWN	X. B. YANG	DATE	02/07/14
CHECKED	L. YANG	DATE	02/07/14
APPROVED	J. QU	DATE	02/07/14
UNLESS OTHERWISE SPECIFIED DIMENSIONS ARE IN MILLIMETERS, DIMENSIONS IN [ ] ARE IN INCHES FOR CUSTOMER REFERENCE ONLY UNLESS OTHERWISE SPECIFIED TOLERANCE ARE:		THESE DRAWINGS AND SPECIFICATIONS ARE THE PROPERTY OF ANOISON ELECTRONICS LTD AND SHOULD NOT BE USED WITHOUT WRITTEN PERMISSION COPYRIGHT © 2014 ANOISON ELECTRONICS LTD	
.XX	±0.13 [.005"]		
.X	±0.20 [.008"]		
X	±0.50 [.019"]		
.X°	±1°		
X°	±2°		



TITLE  
HPQN STRAIGHT FEMALE BULKHEAD SOLDER FOR .086 CABLE

VIEW	PART NO. ANO 5312-1046		
SIZE A3	SCALE 4:1	SHEET 1/1	REV. B