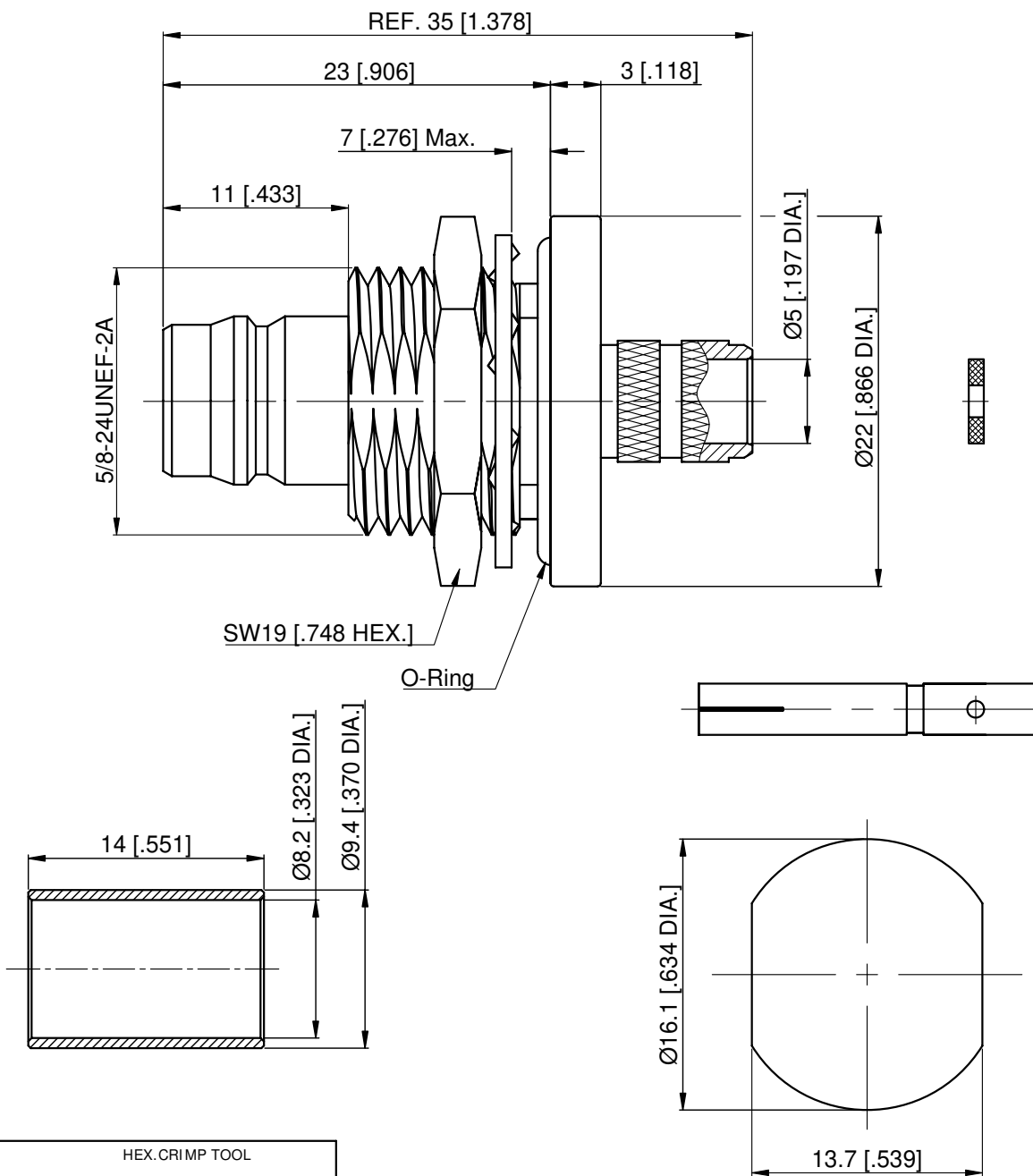


DESCRIPTION	MATERIAL	FINISH
Center Contact	Phosphor Bronze	Gold
Outer Contact	Brass	Albaloy
Washer	Phosphor Bronze	Nickel
Fastening Nut	Brass	Nickel
Insulator	PTFE	_____
O-Ring	MVQ (Silicone Rubber)	_____

Technical Data

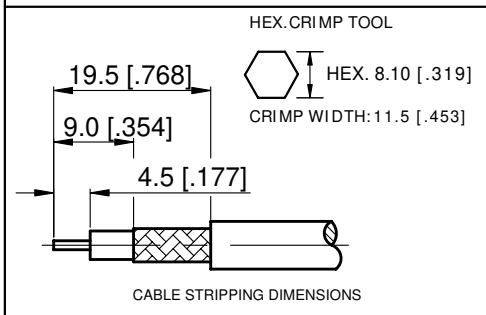
1. Impedance: 50 Ohms
2. Frequency Range: DC to 6 GHz
3. VSWR: 1.50 Max.
4. 2002/95/EC(RoHS): Compliant
5. Operating Temp. : -55°C to +125°C



Recommended Mounting Hole

NOTES:

1. ALL SPECIFICATIONS ARE SUBJECT TO CHANGE WITHOUT NOTICE AT ANY TIME
2. CUSTOMER OUTLINE DRAWING FOR REFERENCE ONLY



Drawn:	X. B. Yang 07/02/13
Checked:	L. Yang 07/02/13
Approved:	J. Qu 07/02/13

Title:	
HPQN Straight Female Bulkhead Waterproof for LMR300 Cable	
Part No:	ANO 5312-1043
View:	
Size:	A4
Scale:	2.5:1
Sheet:	1/1
Rev:	A



Unless otherwise specified dimensions are in millimeters, dimensions in [] are in inches for customer reference only.

Unless Otherwise Specified tolerance are:

- .XX ±0.13 [.005"]
- .X ±0.20 [.008"]
- X ±0.50 [.019"]
- X° ±1°
- X° ±2°