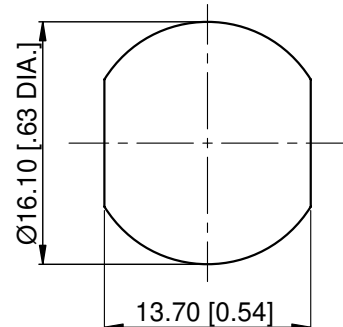
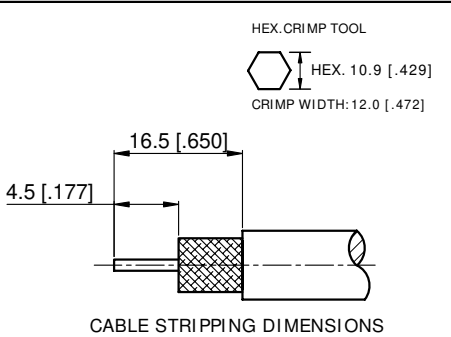
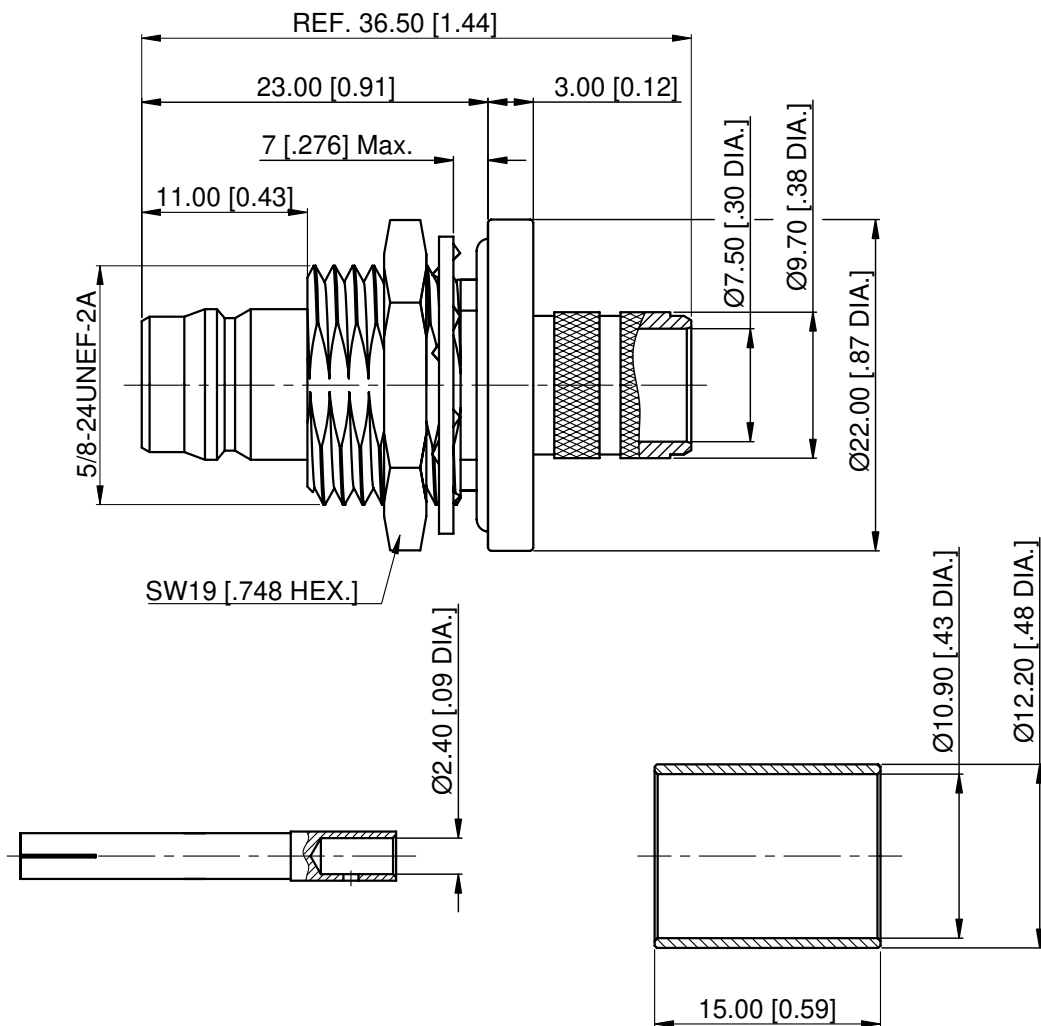


DESCRIPTION	MATERIAL	FINISH
Center Contact	Phosphor Bronze	Gold
Outer Contact	Brass	Nickel
Washer	Phosphor Bronze	Nickel
Fastening Nut	Brass	Nickel
Insulator	PTFE	_____
Gasket	MVQ (Silicone Rubber)	_____

Technical Data

1. Impedance: 50 Ohms
2. Frequency Range: DC to 6 GHz
3. VSWR: 1.50 Max.
4. 2002/95/EC(RoHS): Compliant
5. Operating Temp. : -55°C to +125°C



- NOTES:
1. ALL SPECIFICATIONS ARE SUBJECT TO CHANGE WITHOUT NOTICE AT ANY TIME
 2. CUSTOMER OUTLINE DRAWING FOR REFERENCE ONLY

Drawn:	X. B. Yang	07/01/13
Checked:	L. Yang	07/01/13
Approved:	J. Qu	07/01/13

Title:			
HPQN Straight Female Bulkhead Waterproof for LMR400 Cable			
View:		Part No:	
		ANO 5312-1041	
Size:	Scale:	Sheet:	Rev:
A4	2:1	1/1	A



Unless otherwise specified dimensions are in millimeters, dimensions in [] are in inches for customer reference only.
 Unless Otherwise Specified tolerance are:
 .XX ±0.13 [.005"]
 .X ±0.20 [.008"]
 X ±0.50 [.019"]
 X° ±1°
 X° ±2°