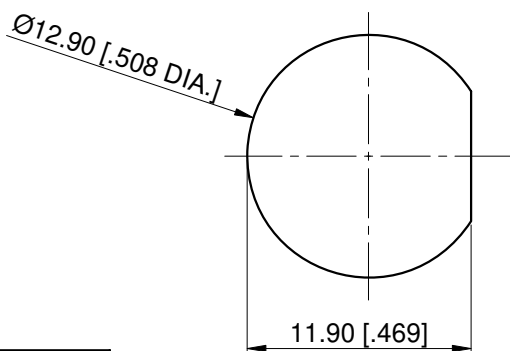
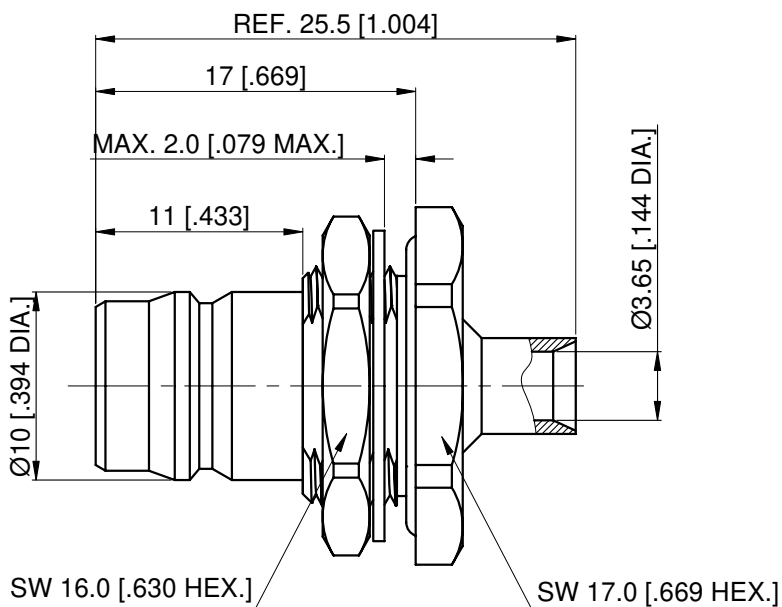
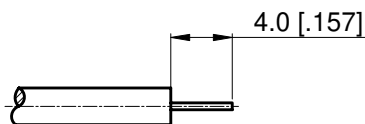
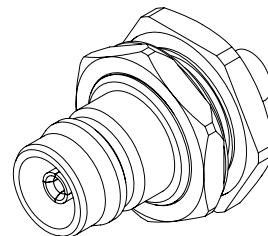


DESCRIPTION	MATERIAL	FINISH
Center Contact	Phosphor Bronze	Gold
Body	Brass	Nickel
Washer	Phosphor Bronze	Nickel
Fastening Nut	Brass	Nickel
Insulator	PTFE	——
Gasket	MVQ (Silicone Rubber)	——



Recommended Mounting Hole



CABLE STRIPPING DIMENSIONS

NOTES:

1. ALL SPECIFICATIONS ARE SUBJECT TO CHANGE WITHOUT NOTICE AT ANY TIME
2. CUSTOMER OUTLINE DRAWING FOR REFERENCE ONLY

Description	Ecn.No	Date	Rev

Drawn: Z. Shen 11/27/07

Checked: L. Yang 11/27/07

Approved: J. Qu 11/27/07

Title:

HPQN Stright Waterproof Bulkhead Female Solder for RG402/.141 Cable



Unless otherwise specified dimensions are in millimeters, dimensions in [] are in inches for customer reference only.

Unless Otherwise Specified tolerance are:

- .XX ±0.13 [.005"]
- .X ±0.20 [.008"]
- X ±0.50 [.019"]
- .X° ±1°
- X° ±2°

View:



Part No:

ANO 5312-1032

Size:	Scale:	Sheet:	Rev:
A4	2.5:1	1/1	A