

4

3

2

1

1.0 MATERIAL & FINISH:

- 1.1 BODY: BRASS, ALBALOY PLATED
- 1.2 CENTER CONTACT: BERYLLIUM COPPER ALLOY, GOLD PLATED
- 1.3 INSULATOR: PTFE
- 1.4 UNLOCK SLEEVE: BRASS, ALBALOY PLATED
- 1.4 GASKET: SILICONE PER MIL-G-83528

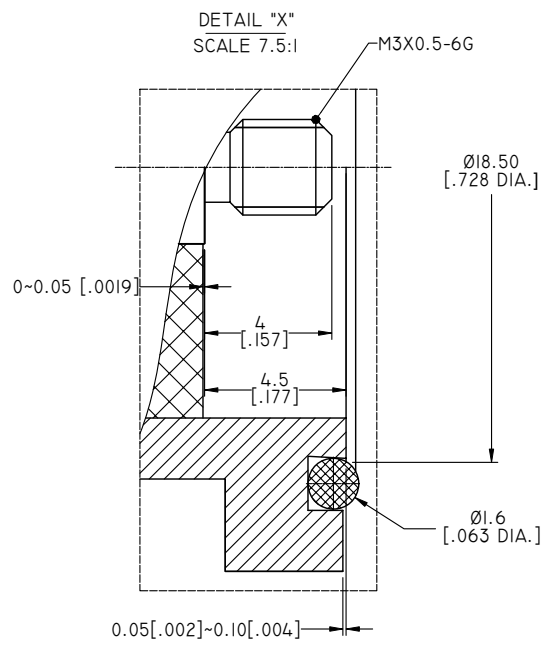
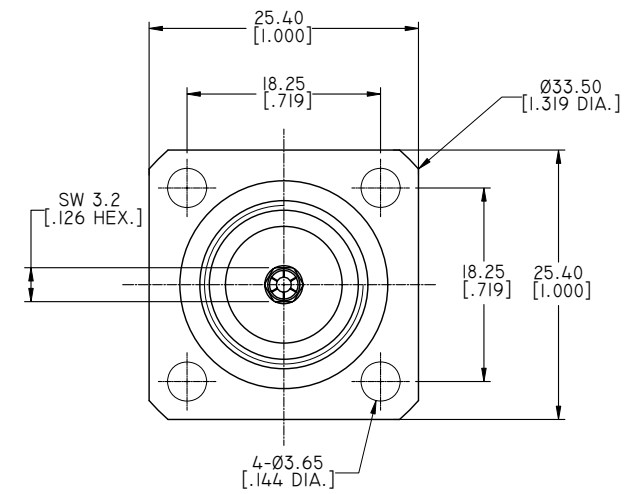
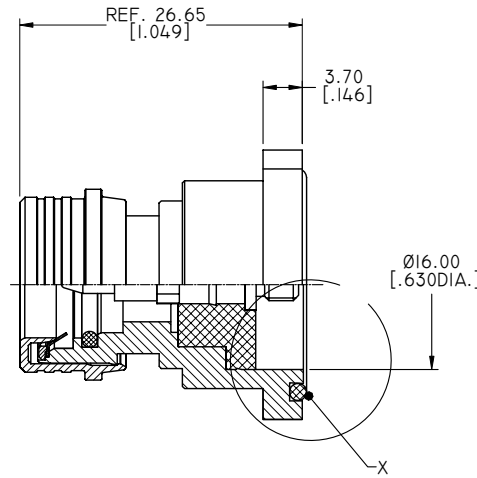
2.0 ENVIRONMENTAL DATA:

- 2.1 TEMPERATURE RANGE: -40°C~+125°C
- 2.2 2011/65/EU (RoHS): COMPLIANT

3.0 ELECTRICAL DATA:

- 3.1 IMPEDANCE: 50 Ω
- 3.2 FREQUENCY RANGE: DC~18 GHz

REVISIONS			
REV.	DESCRIPTION	DATE	APPROVED
A	INITIAL RELEASE	07/30/16	J. QU
B	.144 WAS .122	08/02/16	J. QU



DRAWN	L. YANG	DATE	08/02/16
CHECKED	X. B. YANG	DATE	08/02/16
APPROVED	J. QU	DATE	08/02/16
UNLESS OTHERWISE SPECIFIED DIMENSIONS ARE IN MILLIMETERS, DIMENSIONS IN [] ARE IN INCHES FOR CUSTOMER REFERENCE ONLY UNLESS OTHERWISE SPECIFIED TOLERANCE ARE:		THESE DRAWINGS AND SPECIFICATIONS ARE THE PROPERTY OF ANOISON ELECTRONICS LTD AND SHOULD NOT BE USED WITHOUT WRITTEN PERMISSION COPYRIGHT © 2016 ANOISON ELECTRONICS LTD	
.XX	±0.13 [.005"]		
.X	±0.20 [.008"]		
X	±0.50 [.019"]		
.X°	±1°		
X°	±2°		



TITLE			
HPQN STRAIGHT MALE 4 HOLE FLANGE RECEPTACLE, THREADED POST			
VIEW		PART NO.	
		ANO 5311-3054	
SIZE	SCALE	SHEET	REV.
A3	2:1	I/1	B

4

3

2

1