

**MATERIAL & FINISH:**

1. BODY: BRASS, ALBALOY PLATED
2. CENTER CONTACT: BRASS, SEE TABLE I
3. UNLOCK SLEEVE: BRASS, SEE TABLE I
4. INSULATOR: PTFE

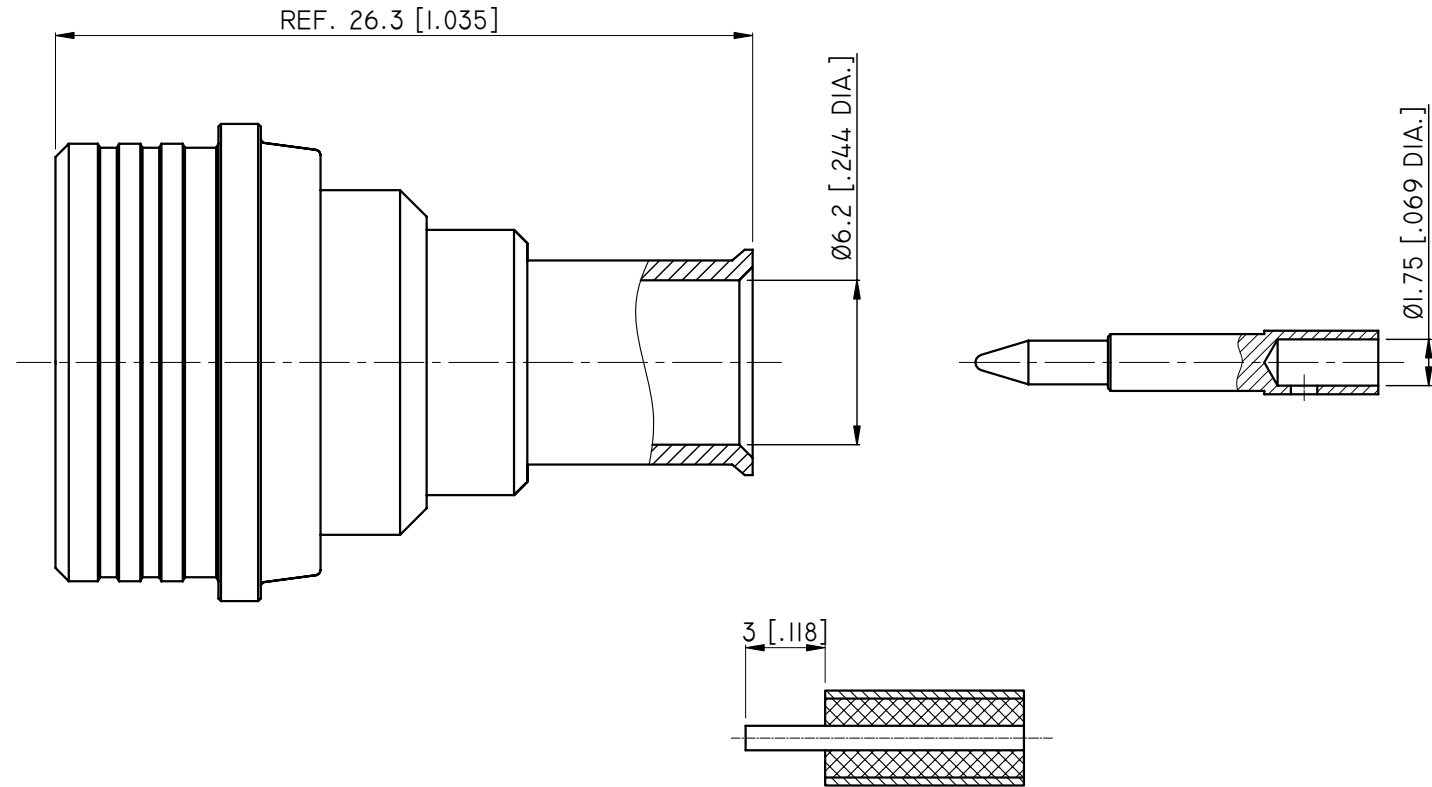
**ENVIRONMENTAL DATA:**

1. TEMPERATURE RANGE: -55°C~+165°C
2. 2002/95/EC (RoHS): COMPLIANT

**ELECTRICAL SPECIFICATIONS:**

1. IMPEDANCE: 50 Ω
2. FREQUENCY RANGE: DC~18GHZ
3. VSWR: 1.25 MAX. AT DC~6GHZ

REVISIONS			
REV.	DESCRIPTION	DATE	APPROVED
A	INITIAL RELEASE	02/15/14	J. QU



CABLE STRIPPING DIMENSIONS

TABLE I

PART NUMBER	PART	FINISH
ANO 531I-2040	CENTER CONTACT	GOLD
	UNLOCK SLEEVE	NICKEL
ANO 531I-2040-I	CENTER CONTACT	SILVER
	UNLOCK SLEEVE	ALBALOY

DRAWN X. B. YANG	DATE 02/15/14		
CHECKED L. YANG	DATE 02/15/14		
APPROVED J. QU	DATE 02/15/14		
<small>UNLESS OTHERWISE SPECIFIED DIMENSIONS ARE IN MILLIMETERS, DIMENSIONS IN [ ] ARE IN INCHES FOR CUSTOMER REFERENCE ONLY UNLESS OTHERWISE SPECIFIED TOLERANCE ARE:</small>		<small>THESE DRAWINGS AND SPECIFICATIONS ARE THE PROPERTY OF ANOISON ELECTRONICS LTD AND SHOULD NOT BE USED WITHOUT WRITTEN PERMISSION COPYRIGHT © 2014 ANOISON ELECTRONICS LTD</small>	
<small>.XX ±0.13 [.005"] .X ±0.20 [.008"] X ±0.50 [.019"] .X° ±1° X° ±2°</small>		TITLE HPQN STRAIGHT MALE SOLDER FOR ANO HF250 CABLE	
VIEW 		PART NO. ANO 531I-2040	
SIZE A3	SCALE 5:1	SHEET 1/1	REV. A