

REVISIONS

REV.	DESCRIPTION	DATE	APPROVED
B	OUTLINE DRAWING CHANGED	04/05/10	J. QU
C	PAINT CHANGED	07/09/12	J. QU

MATERIAL & FINISH:

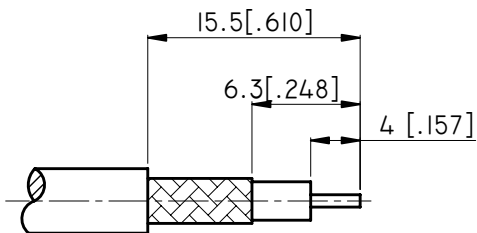
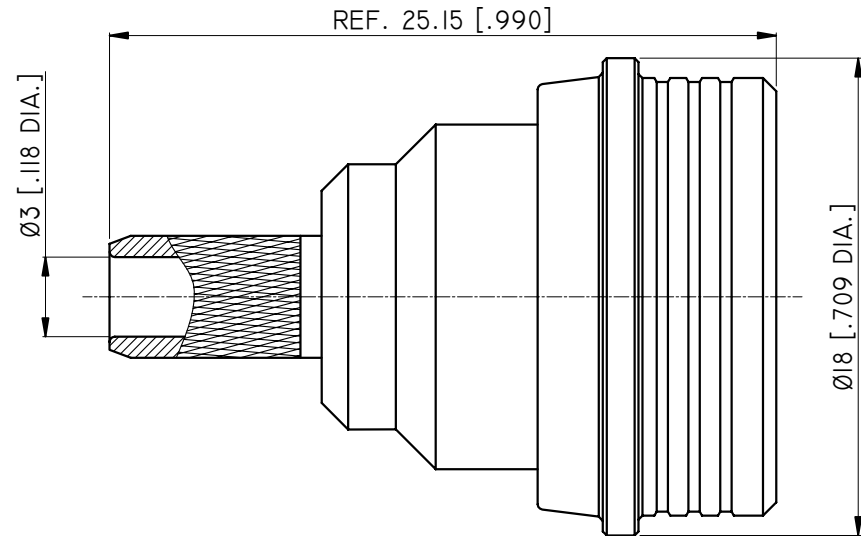
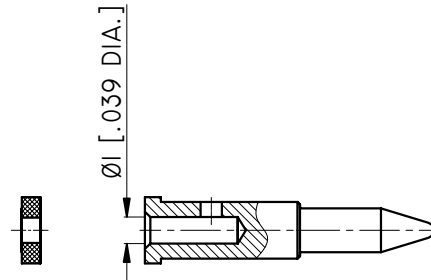
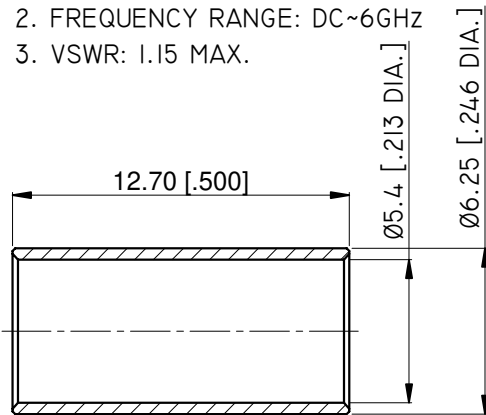
1. BODY: BRASS, ALBALOY PLATED
2. CENTER CONTACT: BRASS, GOLD PLATED
3. INSULATOR: PTFE
4. UNLOCK SLEEVE: BRASS, NICKEL PLATED

ENVIRONMENTAL DATA:

1. TEMPERATURE RANGE: -55°C~+85°C
2. 2011/65/EU (RoHS): COMPLIANT

ELECTRICAL SPECIFICATIONS:

1. IMPEDANCE: 50 Ω
2. FREQUENCY RANGE: DC~6GHz
3. VSWR: 1.15 MAX.



CABLE STRIPPING DIMENSIONS

HEX. CRIMP TOOL



DRAWN	H. ZHANG	DATE	08/07/13
CHECKED	L. YANG	DATE	08/07/13
APPROVED	J. QU	DATE	08/07/13
UNLESS OTHERWISE SPECIFIED DIMENSIONS ARE IN MILLIMETERS, DIMENSIONS IN [] ARE IN INCHES FOR CUSTOMER REFERENCE ONLY UNLESS OTHERWISE SPECIFIED TOLERANCE ARE:		THESE DRAWINGS AND SPECIFICATIONS ARE THE PROPERTY OF ANOISON ELECTRONICS LTD AND SHOULD NOT BE USED WITHOUT WRITTEN PERMISSION COPYRIGHT © 2013 ANOISON ELECTRONICS LTD	
.XX	±0.13 [.005"]		
.X	±0.20 [.008"]		
X	±0.50 [.019"]		
.X°	±1°		
X°	±2°		



TITLE			
HPQN STRAIGHT MALE CRIMP FOR RG58/LMRI95			
VIEW		PART NO.	
		ANO 5311-2008	
SIZE	SCALE	SHEET	REV.
A3	5:1	1/1	C