

4 3 2 1

MATERIAL & FINISH:

- 1 BODY: BRASS, ALBALOY PLATED
- 2 CENTER CONTACT: BERYLLIUM COPPER ALLOY, GOLD PLATED
- 3 INSULATOR: PEI
- 4 UNLOCK SLEEVE: BRASS, ALBALOY PLATED

MECHANICAL DATA:

- 1 ENGAGEMENT FORCE (HPQN SIDE): 20 N TYP.
- 2 DISENGAGEMENT FORCE (HPQN SIDE): 30 N TYP.

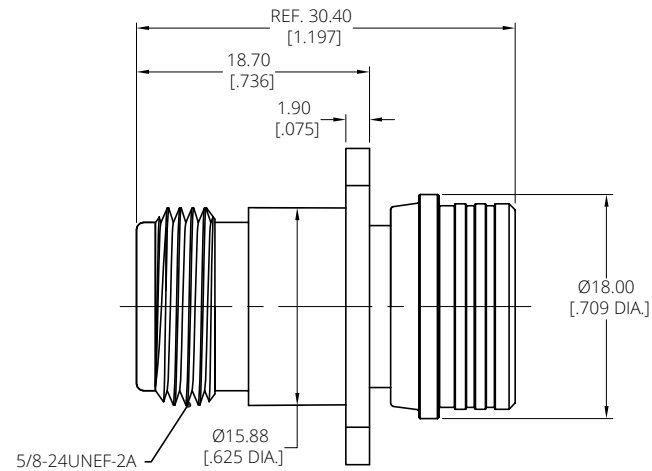
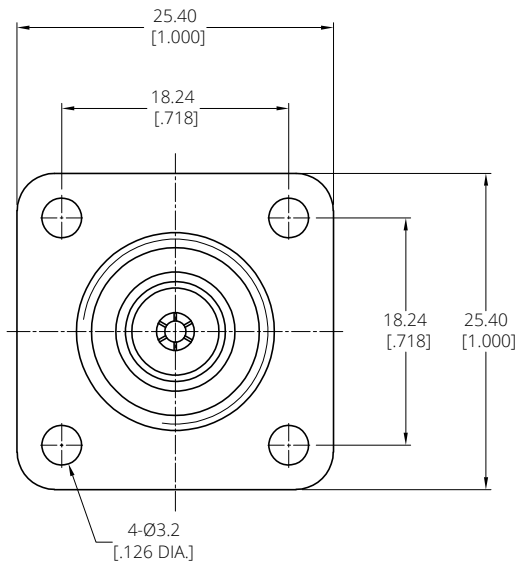
ENVIRONMENTAL DATA:

- 1 TEMPERATURE RANGE: -55°C~+125°C
- 2 2011/65/EU(RoHS) AND 2015/863/(RoHS): COMPLIANT
- 3 1907/2006/EC(REACH): COMPLIANT

ELECTRICAL DATA:

- 1 IMPEDANCE: 50 Ω
- 2 FREQUENCY RANGE: DC~18 GHz
- 3 VSWR: 1.20 MAX. @ DC~6 GHz
1.35 MAX. @ 6~18 GHz
- 4 INSERTION LOSS: 0.06X√f(GHz)
- 5 POWER: 500 W @ 2.9~3.3 GHz
- 6 PEAK POWER: MAXIUM POWER 1800W (MAX. 20% DUTY CYCLE) @ 2.9~3.3 GHz

REVISIONS			
REV.	DESCRIPTION	DATE	APPROVED
A	INITIAL RELEASE	05/08/24	J. Q



DRAWN	W. Y	DATE	05/08/24
CHECKED	X. Y	DATE	05/08/24
APPROVED	J. Q	DATE	05/08/24

UNLESS OTHERWISE SPECIFIED DIMENSIONS ARE IN MILLIMETERS, DIMENSIONS IN [] ARE IN INCHES FOR CUSTOMER REFERENCE ONLY UNLESS OTHERWISE SPECIFIED TOLERANCE ARE:

XX	±0.13 [0.005"]
X	±0.20 [0.008"]
X	±0.50 [0.019"]
X°	±1°
X°	±2°

THESE DRAWINGS AND SPECIFICATIONS ARE THE PROPERTY OF ANOISON ELECTRONICS LTD AND SHOULD NOT BE USED WITHOUT WRITTEN PERMISSION COPYRIGHT © 2024 ANOISON ELECTRONICS LTD



TITLE
ADAPTER HPQN MALE TO N FEMALE, 4 HOLE FLANGE MOUNT



PART NO. ANO 531-512-1664			
SIZE A3	SCALE 2:1	SHEET 1/1	REV. A

4 3 2 1