

**MATERIAL & FINISH:**

- 1 CENTER CONTACT: PHOSPHOR BRONZE, GOLD PLATED
- 2 OUTER CONTACT: BRASS, NICKEL PLATED
- 3 FASTENING NUT: BRASS, NICKEL PLATED
- 4 SEALING SCREW: BRASS, NICKEL PLATED
- 5 LOCKING COLLAR: BRASS, NICKEL PLATED
- 6 CRIMP FERRULE: COPPER, NICKEL PLATED
- 7 INSULATOR: PTFE

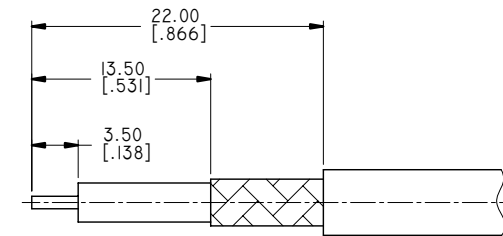
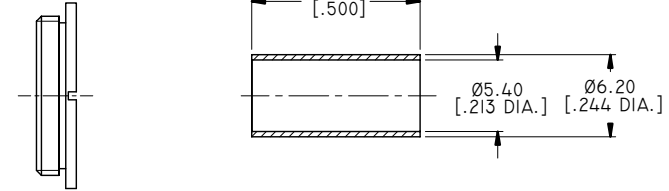
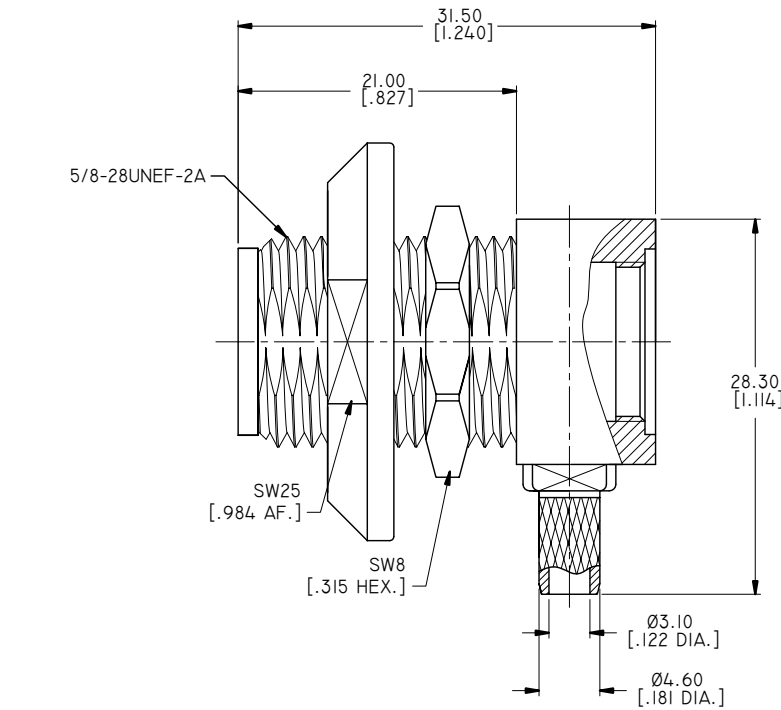
**ELECTRICAL DATA:**

- 1 FREQUENCY RANGE: DC-500 MHZ

**ENVIRONMENTAL DATA:**

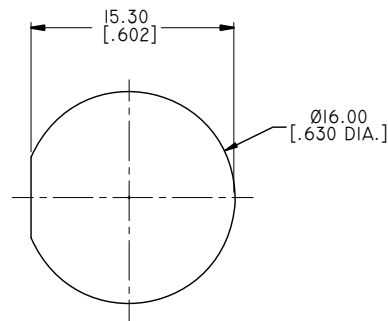
- 1 TEMPERATURE RANGE: -55°C~+125°C
- 2 2011/65/EU(RoHS) AND 2015/863/(RoHS): COMPLIANT
- 3 1999/45/EC(REACH): COMPLIANT

REVISIONS			
REV.	DESCRIPTION	DATE	APPROVED
B	CENTER CONTACT FINISH CHANGED	05/15/12	J. QU
C	1. 2015/863/(RoHS): COMPLIANT ADDED 2. 1999/45/EC(REACH): COMPLIANT ADDED	09/19/18	J. QU



**CABLE STRIPPING DIMENSIONS**

**UHF Right Angle Female Bulkhead Crimp for LMR195/RG58**



RECOMMENDED MOUNTING HOLE

DRAWN	X. B. YANG	DATE	09/19/18
CHECKED	W. YANG	DATE	09/19/18
APPROVED	J. QU	DATE	09/19/18
UNLESS OTHERWISE SPECIFIED DIMENSIONS ARE IN MILLIMETERS. DIMENSIONS IN [ ] ARE IN INCHES FOR CUSTOMER REFERENCE ONLY UNLESS OTHERWISE SPECIFIED TOLERANCE ARE:		THESE DRAWINGS AND SPECIFICATIONS ARE THE PROPERTY OF ANOISON ELECTRONICS LTD AND SHOULD NOT BE USED WITHOUT WRITTEN PERMISSION COPYRIGHT © 2018 ANOISON ELECTRONICS LTD	
.XX	±0.13 [.005"]		
.X	±0.20 [.008"]		
X	±0.50 [.019"]		
.X°	±1°		
X°	±2°		



TITLE			
UHF RIGHT ANGLE FEMALE BULKHEAD CRIMP FOR LMR195/RG58 CABLE			
VIEW		PART NO.	
		ANO 5222-1003	
SIZE	SCALE	SHEET	REV.
A3	2.5:1	I/1	C