

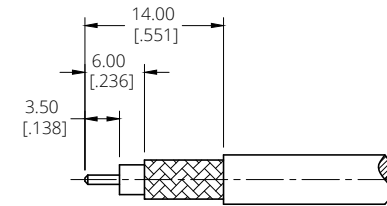
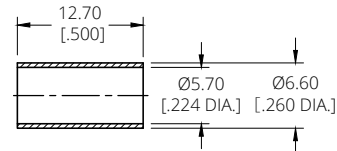
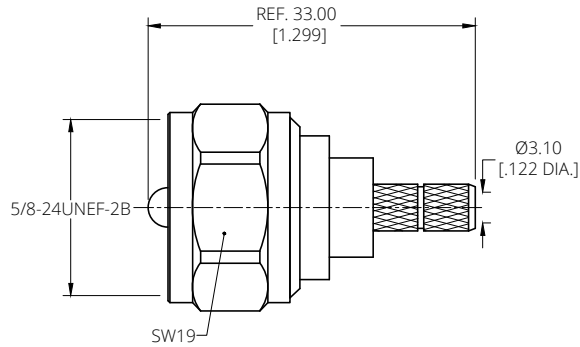
MATERIAL & FINISH:
 1 BODY: BRASS, NICKEL PLATED
 2 CENTER CONTACT: BRASS, GOLD PLATED
 3 INSULATOR: PTFE

ENVIRONMENTAL DATA:
 1 TEMPERATURE RANGE: -45°C ~ +125°C
 2 2011/65/EU(RoHS) AND 2015/863/(RoHS): COMPLIANT
 3 1999/45/EC(REACH): COMPLIANT

ELECTRICAL DATA:
 1 IMPEDANCE: 50 Ω
 2 FREQUENCY RANGE: DC~1GHz
 3 DIELECTRIC WITHSTANDING VOLTAGE: 1500 Vrms
 4 INTERNAL CONDUCTOR CONTACT RESISTANCE: 5 mΩ MAX.
 5 EXTERNAL CONDUCTOR CONTACT RESISTANCE: 5 mΩ MAX.
 6 INSULATION RESISTANCE: 5000 MΩ MIN.

MECHANICAL DATA:
 1 DURABILITY: 500 CYCLES

REVISIONS			
REV.	DESCRIPTION	DATE	APPROVED
A	INITIAL RELEASE	06/25/24	J. Q



CABLE STRIPPING DIMENSIONS

DRAWN	Y. H	DATE	06/25/24			
CHECKED	L. Y	DATE	06/25/24			
APPROVED	J. Q	DATE	06/25/24			
UNLESS OTHERWISE SPECIFIED DIMENSIONS ARE IN MILLIMETERS, DIMENSIONS IN [] ARE IN INCHES FOR CUSTOMER REFERENCE ONLY UNLESS OTHERWISE SPECIFIED TOLERANCE ARE:		THESE DRAWINGS AND SPECIFICATIONS ARE THE PROPERTY OF ANOISON ELECTRONICS LTD AND SHOULD NOT BE USED WITHOUT WRITTEN PERMISSION COPYRIGHT © 2024 ANOISON ELECTRONICS LTD		TITLE		
XX ±0.13 [.005"] X ±0.20 [.008"] X ±0.50 [.019"] X° ±1° X° ±2°				UHF STRAIGHT MALE CRIMP FOR RG223/RG142 CABLE		
		VIEW		PART NO.		
				ANO 5211-2010		
		SIZE		SCALE		SHEET
		A4		2:1		1/1
				REV.		A