

**MATERIAL & FINISH:**

- 1 CENTER CONTACT: BRASS, SILVER PLATED
- 2 BODY: BRASS, ALBALOY PLATED
- 3 INSULATOR: PTFE
- 4 COUPLING NUT: BRASS, ALBALOY PLATED

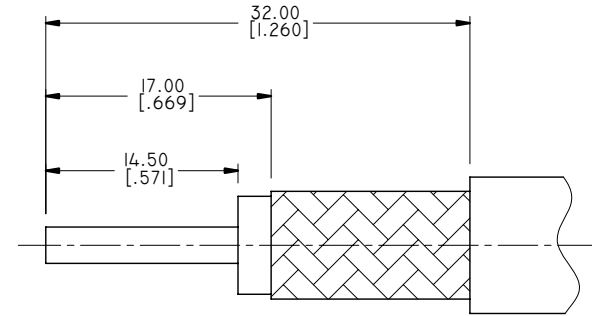
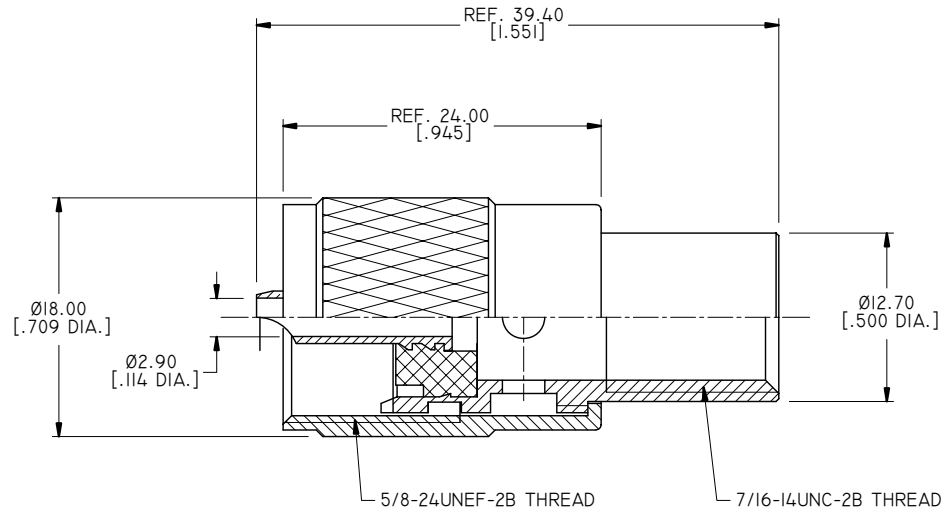
**ELECTRICAL DATA:**

- 1 FREQUENCY RANGE: DC-300 MHZ
- 2 VOLTAGE RATING: 500 VOLTS RMS

**ENVIRONMENTAL DATA:**

- 1 TEMPERATURE RANGE: -55°C~+125°C
- 2 2011/65/EU(RoHS) AND 2015/863/(RoHS): COMPLIANT
- 3 1999/45/EC(REACH): COMPLIANT

REVISIONS			
REV.	DESCRIPTION	DATE	APPROVED
E	CENTER CONTACT FINISH CHANGED TO SILVER	01/04/17	J. QU
F	1. 2015/863/(RoHS): COMPLIANT ADDED 2. 1999/45/EC(REACH): COMPLIANT ADDED	09/19/18	J. QU



CABLE STRIPPING DIMENSIONS

DRAWN	X. B. YANG	DATE	09/19/18												
CHECKED	W. YANG	DATE	09/19/18												
APPROVED	J. QU	DATE	09/19/18												
<small>UNLESS OTHERWISE SPECIFIED DIMENSIONS ARE IN MILLIMETERS, DIMENSIONS IN [ ] ARE IN INCHES FOR CUSTOMER REFERENCE ONLY UNLESS OTHERWISE SPECIFIED TOLERANCE ARE:</small>		<small>THESE DRAWINGS AND SPECIFICATIONS ARE THE PROPERTY OF ANOISON ELECTRONICS LTD AND SHOULD NOT BE USED WITHOUT WRITTEN PERMISSION COPYRIGHT © 2018 ANOISON ELECTRONICS LTD</small>		TITLE											
<table border="0"> <tr> <td>.XX</td> <td>±0.13 [0.005"]</td> </tr> <tr> <td>.X</td> <td>±0.20 [0.008"]</td> </tr> <tr> <td>X</td> <td>±0.50 [0.019"]</td> </tr> <tr> <td>.X°</td> <td>±1°</td> </tr> <tr> <td>X°</td> <td>±2°</td> </tr> </table>				.XX	±0.13 [0.005"]	.X	±0.20 [0.008"]	X	±0.50 [0.019"]	.X°	±1°	X°	±2°	UHF STRAIGHT MALE SOLDER FOR LMR400 CABLE	
.XX	±0.13 [0.005"]														
.X	±0.20 [0.008"]														
X	±0.50 [0.019"]														
.X°	±1°														
X°	±2°														
VIEW		PART NO.													
		ANO 5211-2006													
SIZE	A3	SCALE	2.5:1	SHEET											
				I/1											
REV.	F														