

4

3

2

1

MATERIAL & FINISH:

- 1 BODY : BRASS, ALBALOY PLATED
- 2 CENTER CONTACT: BRASS, SILVER PLATED
- 3 COUPLING NUT: BRASS, ALBALOY PLATED
- 4 INSULATOR: PTFE
- 5 GASKET: SILICONE RUBBER

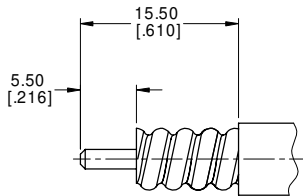
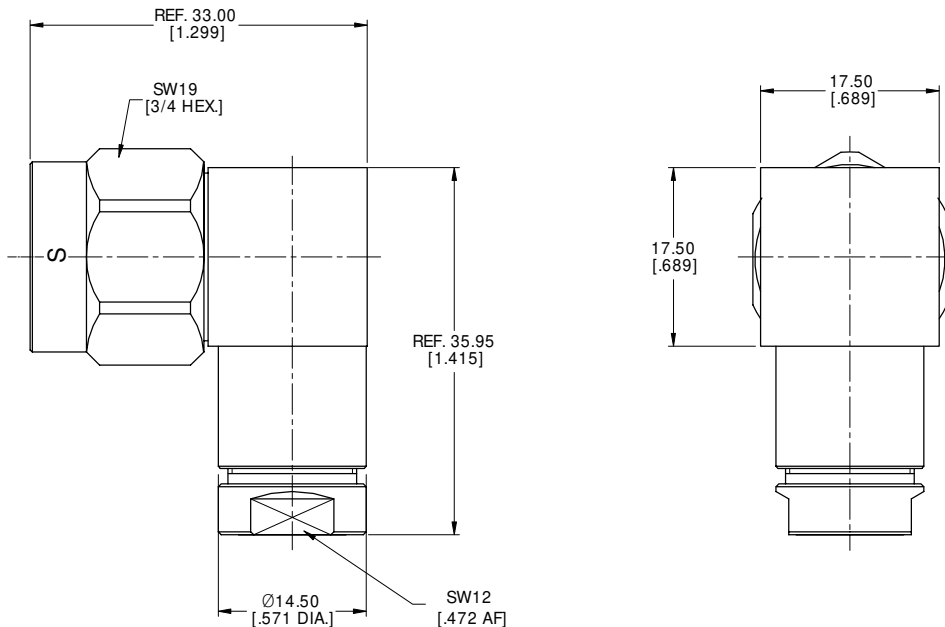
ELECTRICAL DATA:

- 1 IMPEDANCE: 50 Ω
- 2 FREQUENCY RANGE: DC~6 GHz
- 3 VSWR: 1.40 MAX.

ENVIRONMENTAL DATA:

- 1 TEMPERATURE RANGE: -55°C~+125°C
- 2 2011/65/EU(RoHS) AND 2015/863/(RoHS): COMPLIANT
- 3 1907/2006/EC(REACH): COMPLIANT

REVISIONS			
REV.	DESCRIPTION	DATE	APPROVED
A	INITIAL RELEASE	06/02/23	J Q



CABLE STRIPPING DIMENSIONS

DRAWN	X. Y	DATE	06/02/23
CHECKED	W. Y	DATE	06/02/23
APPROVED	J Q	DATE	06/02/23



UNLESS OTHERWISE SPECIFIED DIMENSIONS ARE IN MILLIMETERS, DIMENSIONS IN [] ARE IN INCHES FOR CUSTOMER REFERENCE ONLY UNLESS OTHERWISE SPECIFIED TOLERANCE ARE:

.XX	±0.13 [.005"]
.X	±0.20 [.008"]
X	±0.50 [.019"]
X°	±1°
X"	±2°

THESE DRAWINGS AND SPECIFICATIONS ARE THE PROPERTY OF ANOISON ELECTRONICS LTD AND SHOULD NOT BE USED WITHOUT WRITTEN PERMISSION COPYRIGHT © 2023 ANOISON ELECTRONICS LTD

TITLE
S RIGHT ANGLE MALE SOLDER FOR 1/4" SUPER FLEX CABLE

VIEW	PART NO. ANO 5121-2374		
	SIZE A3	SCALE 2.5:1	SHEET 1/1
		REV. A	

4

3

2

1