

4

3

2

1

REVISIONS			
REV.	DESCRIPTION	DATE	APPROVED
A	INITIAL RELEASE	12/23/15	J. QU
B	STRUCTURE CHANGS	01/18/16	J. QU
C	STRUCTURE CHANGS	03/10/16	J. QU

MATERIAL & FINISH:

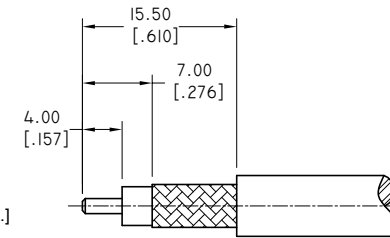
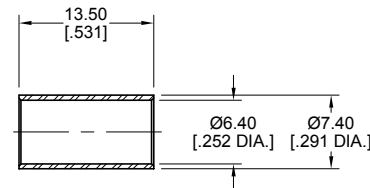
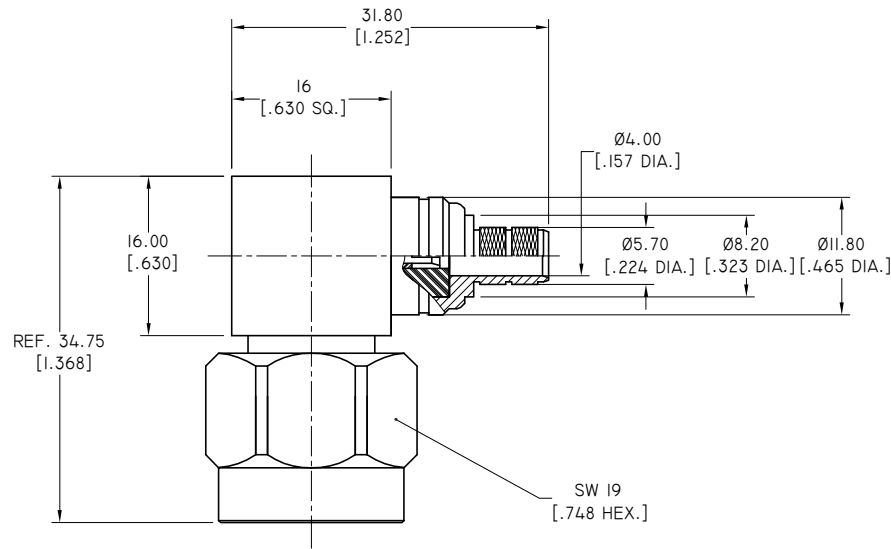
- 1 BODY: BRASS, NICKEL PLATED
- 2 CENTER CONTACT: PHOSPHOR BRONZ , SILVER PLATED
- 3 INSULATOR: PTFE
- 4 COUPLING NUT: BRASS, NICKEL PLATED
- 5 RETAINING RING: PHOSPHOR BRONZE , NICKEL PLATED
- 6 GASKET: MVQ (SILICONE RUBBER)

ELECTRICAL DATA:

- 1 IMPEDANCE: 50 Ω
- 2 FREQUENCY RANGE: DC-11 GHZ
- 3 VSWR TYPICAL: ≤ 1.35 AT DC-6 GHZ
- 4 INSERTION LOSS: 0.2 DB AT DC-6 GHZ

ENVIRONMENTAL DATA:

- 1 TEMPERATURE RANGE: -55 °C ~ +125 °C
- 2 2011/65/EU (RoHS): COMPLIANT



CABLE STRIPPING DIMENSIONS

DRAWN	P. CHEN	DATE	03/10/16
CHECKED	L. YANG	DATE	03/10/16
APPROVED	J. QU	DATE	03/10/16
UNLESS OTHERWISE SPECIFIED DIMENSIONS ARE IN MILLIMETERS, DIMENSIONS IN [] ARE IN INCHES FOR CUSTOMER REFERENCE ONLY UNLESS OTHERWISE SPECIFIED TOLERANCE ARE:		THESE DRAWINGS AND SPECIFICATIONS ARE THE PROPERTY OF ANOISON ELECTRONICS LTD AND SHOULD NOT BE USED WITHOUT WRITTEN PERMISSION COPYRIGHT © 2016 ANOISON ELECTRONICS LTD	
.XX	±0.13 [.005"]		
.X	±0.20 [.008"]		
X	±0.50 [.019"]		
.X°	±1°		
X°	±2°		



TITLE
N R/A MALE CRIMP FOR LMR240 CABLE, CAPTIVATED CONTACT

VIEW	PART NO. ANO 5121-2239		
	SIZE A3	SCALE 2:1	SHEET 1/1
		REV. C	

4

3

2

1